

## INTRODUCTION

Congratulations on your purchase of a Perlick residential refrigeration product. A pioneer in the commercial refrigeration field for nearly 60 years, Perlick has decided to bring the ultimate in beauty, high quality and innovative commercial products to the residential market. The product offering gives you the opportunity to enjoy the functionality and user friendliness in just about any setting, including home hospitality centers, kitchens, bedrooms, summer rooms or any other convenient location you feel suitable in either a built-in or freestanding model. The all stainless interior and front face will provide beauty and durability for a lifetime of use.

This Installation and Use and Care Guide will answer your questions about the features, operation and maintenance of your Refrigerated Cabinet model. If you have questions that are not addressed here, call 800 558-5592.

## IMPORTANT

PLEASE READ all instructions completely before attempting to install or operate the unit. First, as you follow these Installation and Use and Care instructions, take particular note of the **CAUTION!** and **WARNING!** symbols when they appear. This information is important for the safe and efficient installation, operation and care of your Perlick Refrigerated Cabinet.

## CAUTION

**Signals a hazard where minor injury or product damage may occur if you do not follow instructions.**

## WARNING

**States a hazard may cause serious injury or death if precautions are not followed.**

Once the unit is completely installed, we suggest you keep this manual and purchasing documentation in a safe place for future reference. Should problems occur: refer to the troubleshooting section of this manual. The information will help you quickly identify a problem and get it remedied. In the event you require assistance, please contact the dealer where you purchased your unit.

## PLEASE RECORD YOUR MODEL'S INFORMATION

Whenever you call to request information or service, you will need to know your model number and serial number. You can find this information on the serial and identification plate located on the inside ceiling of your unit and on the warranty registration card.

## WARRANTY REGISTRATION CARD

The package containing this manual also includes your warranty registration information. Warranty coverage begins on the date your Perlick Refrigerated Cabinet was originally purchased.

**IMPORTANT NOTE:** Take a moment to read through the included warranty statement and complete and mail the Warranty Registration Card as soon as possible to validate the registration date. An alternative method of completing the Warranty Registration can be accomplished online at

[www.bringperlickhome.com](http://www.bringperlickhome.com).

If you do not complete your Warranty Registration Card on-line or return via U.S. mail, Perlick will use the date of

sale as the first date of warranty for your new Refrigerated Cabinet. Please record the purchase date of your Perlick product and your dealer's name, address and telephone number.

**MODEL NUMBER:** \_\_\_\_\_

**SERIAL NUMBER:** \_\_\_\_\_

**PURCHASE DATE:** \_\_\_\_\_

**DEALER NAME:** \_\_\_\_\_

**DEALER ADDRESS:** \_\_\_\_\_

**DEALER TELEPHONE:** \_\_\_\_\_

Keep this manual and the sales receipt together in a safe place for future reference.

## TABLE OF CONTENTS

INTRODUCTION.....	1
PLEASE RECORD YOUR MODEL'S INFORMATION.....	1
WARRANTY REGISTRATION CARD.....	1
TABLE OF CONTENTS.....	2
GENERAL PRECAUTIONS.....	4
INSTALLATION INSTRUCTIONS.....	4
ILLUSTRATION 1. INSTALLATION SPECIFICATIONS.....	5
PREPARING THE SPACE.....	5
PREPARING ELECTRICAL CONNECTIONS.....	6
UNPACKING AND MOVING.....	6
ANTI-TIP-OVER INSTALLATION.....	7
ILLUSTRATION 2. SINGLE DOOR ANTI-TIP LAYOUT.....	8
ILLUSTRATION 3. TWO-DOOR ANTI-TIP LAYOUT.....	9
ILLUSTRATION 4. THREE-DOOR ANTI-TIP LAYOUT.....	9
INSTALLING.....	10
TOE PLATE INSTALLATION.....	11
ILLUSTRATION 5. TOE PLATE INSTALLATION.....	11
DOOR REVERSING.....	12
ILLUSTRATION 6. DOOR SWING REVERSAL PROCEDURE.....	13
DOOR OPTIONS.....	14
INSTALLATION OF WOOD OVERLAYS.....	15
ILLUSTRATION 7. SOLID WOOD OVERLAY PANEL.....	16

ILLUSTRATION 8. GLASS WOOD OVERLAY PANEL.....	16
ILLUSTRATION 9. SOLID WOOD DRAWER OVERLAY PANEL.....	17
<b>STORAGE CAPABILITES.....</b>	<b>18</b>
SINGLE DOOR FREEZER & SINGLE DOOR REFRIGERATOR.....	18
SINGLE DOOR WINE COOLER.....	18
TWO DOOR FREEZER/REFRIGERATOR & TWO DOOR ALL-REFRIGERATOR.....	19
TWO DOOR REFRIGERATOR/WINE COOLER.....	19
TWO DOOR ALL WINE COOLER.....	19
THREE DOOR FRZ/REF/REF & THREE DOOR ALL-REFRIGERATOR.....	19
THREE DOOR REFRIGERATOR/REFRIGERATOR/WINE COOLER.....	19
THREE DOOR REFRIGERATOR/WINE COOLER/WINE COOLER.....	19
THREE DOOR ALL WINE COOLER.....	20
WOODEN WINE RACK TRIM FINISHING.....	20
ILLUSTRATION 10. WOODEN WINE RACK TRIM DESIGN.....	20
LOCK INSTALLATION.....	21
ILLUSTRATION 11. DOOR LOCK INSTALLATION.....	21
<b>OPERATION.....</b>	<b>21</b>
SINGLE DOOR FREEZER OPERATION.....	21
SINGLE DOOR REFRIGERATOR OPERATION.....	22
SINGLE DOOR WINE COOLER OPERATION.....	23
TWO DOOR FREEZER/REFRIGERATOR OPERATION.....	24
TWO DOOR ALL-REFRIGERATOR OPERATION.....	26
TWO DOOR ALL-WINE COOLER OPERATION.....	27
TWO DOOR MULTI-ZONE WINE COOLER OPERATION.....	28
TWO DOOR REFRIGERATOR/WINE COOLER OPERATION.....	29
THREE DOOR FREEZER/REFRIGERATOR/REFRIGERATOR OPERATION.....	31
THREE DOOR FREEZER/REFRIGERATOR/WINE COOLER OPERATION.....	32
THREE DOOR ALL-REFRIGERATOR OPERATION.....	33
THREE DOOR ALL-WINE COOLER OPERATION.....	34
THREE DOOR THREE-ZONE WINE COOLER OPERATION.....	36
THREE DOOR TWO-ZONE WINE COOLER OPERATION.....	37
THREE DOOR REFRIGERATOR/TWO-ZONE WINE COOLER OPERATION.....	39
TEMPERATURE CONTROLLER.....	41
TEMPERATURE CONTROLLER ADJUSTMENTS.....	42
CHART 1. PRODUCT TEMPERATURE SET POINTS AND RANGES.....	43
CHECKING PRODUCT TEMPERATURE.....	44
<b>MAINTENANCE.....</b>	<b>44</b>
CLEANING.....	44
LIGHT BULB REPLACEMENT.....	45
<b>TROUBLESHOOTING.....</b>	<b>45</b>
BEFORE CALLING FOR SERVICE.....	45
GENERAL.....	46
WIRING SCHEMATIC.....	49
WARRANTY.....	50

## **GENERAL PRECAUTIONS**

### **DANGER**

**RISK OF CHILD ENTRAPMENT, BEFORE YOU THROW AWAY YOUR OLD REFRIGERATOR OR FREEZER, TAKE OFF THE DOORS AND LEAVE SHELVES IN PLACE SO THAT CHILDREN MAY NOT EASILY CLIMB INSIDE.**

### **WARNING**

- **NEVER ATTEMPT TO REPAIR OR PERFORM MAINTENANCE ON THE UNIT UNTIL THE ELECTRICITY HAS BEEN DISCONNECTED.**
- **ALTERING, CUTTING OF THE POWER CORD, OR REMOVAL OF THE POWER CORD, REMOVAL OF POWER PLUG, OR DIRECT WIRING CAN CAUSE SERIOUS INJURY, FIRE AND/OR LOSS OF PROPERTY AND/OR LIFE AND WILL VOID THE WARRANTY.**
- **THE ANTI-TIP KIT MUST BE INSTALLED ON THIS UNIT BEFORE IT IS USED. NEVER USE THE DRAWERS, SHELVES OR DOORS AS STEPS OR TO SUPPORT MORE THAN THEY WERE DESIGNED TO SUPPORT.**

## **CAUTION**

- **DO NOT LIFT UNIT BY DRAWER OR DOOR HANDLES.**
- **FAILURE TO CLEAN THE CONDENSER EVERY THREE MONTHS CAN CAUSE THE UNIT TO MALFUNCTION. THIS COULD VOID THE WARRANTY.**
- **NEVER INSTALL THE UNIT BEHIND CLOSED DOORS. BE SURE FRONT LOUVERED TOE PLATE IS FREE OF OBSTRUCTION. OBSTRUCTING FREE AIRFLOW CAN CAUSE UNIT TO MALFUNCTION, AND MAY VOID THE WARRANTY.**

## **CAUTION**

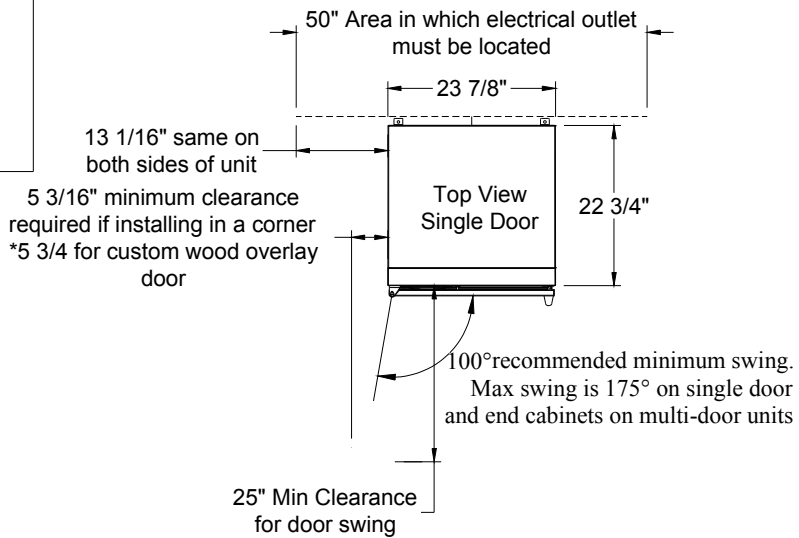
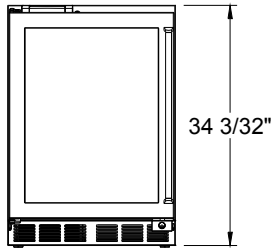
**USE ONLY GENUINE PERLICK REPLACEMENT PARTS. IMITATION PARTS CAN DAMAGE THE UNIT, AND MAY VOID THE WARRANTY.**

## **INSTALLATION INSTRUCTIONS**

**IMPORTANT NOTE:** The information in this installation guide applies to all product models unless noted.

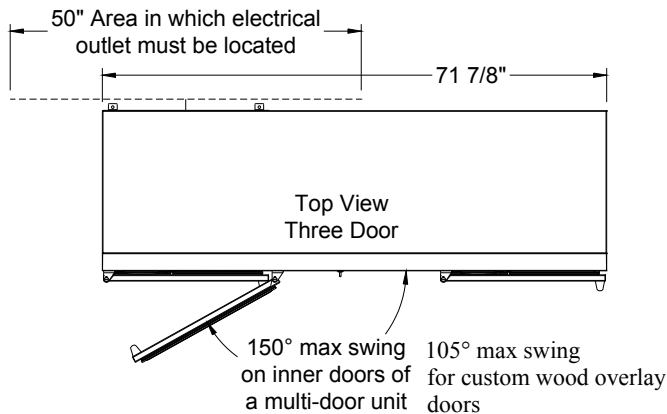
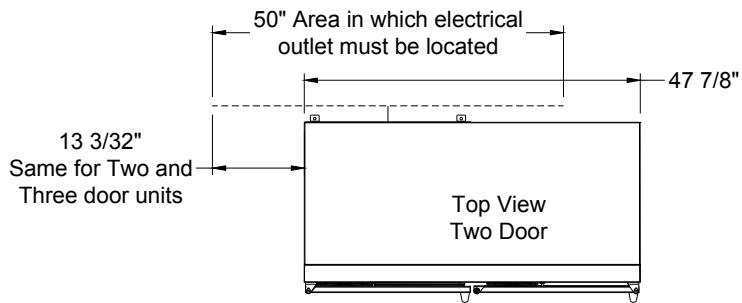
# ILLUSTRATION 1. INSTALLATION SPECIFICATIONS

Finished rough opening requirements  
 \*Height-----34 1/2 inches  
 \*Depth-----24 inches  
 \*same across all units  
 One door width-----24 inches  
 Two door width-----48 inches  
 Three door width----72 inches



**NOTE:**

- All electrical instructions assume that outlet is located 4-10 inches from floor
- Floor must be level in area of installation, leg levelers are meant as a means of fine tuning, not recommended for making up differences in the floor surpassing 1/2 inch
- When moving the units into place take care to protect the floor as necessary with cardboard, rugs, etc.
- Never attempt to move unit without at least one other person present
- Always secure doors shut prior to moving the unit



## PREPARING THE SPACE

Make sure that the opening where the Perlick cabinet(s) is/are to be installed is properly prepared. Refer to Illustration 1 to ensure the space dimensions and electrical service are correct for the models to be installed.

## CAUTION

**IF CABINET IS BEING INSTALLED UNDER A COUNTER TOP IT IS RECOMMENDED THAT THE COUNTER TOP BE SUPPORTED BY STRUCTURE OTHER THAN THE REFRIGERATED CABINET TO PREVENT DAMAGE TO THE**

## COUNTER TOP.

**IMPORTANT NOTE:** For a cabinet door to operate properly, the door must open a minimum of 100°. Use a minimum 5-3/4-inch filler in corner installations to assure a 100° door opening. Allow enough clearance in front of the unit for full door swing, shelf pull-out or drawer pull-out.

**IMPORTANT NOTE:** Make sure the floor under the unit is level with the surrounding finished floor. Protect a finished floor with plywood, cardboard or some other suitable material before moving the cabinet across it. Failure to do this may result in damage to your flooring.

## PREPARING ELECTRICAL CONNECTIONS

A 115 volt, 60Hz, 15 amp circuit breaker and electrical supply are required. A separate circuit is required for each Perlick Refrigerated Cabinet installed. Follow the National Electrical Code and local codes and ordinances when installing the receptacle. All Perlick Refrigerated Cabinets come equipped with a NEMA 5-15P 90° plug with a minimum of 5-feet of cord extending beyond the rear of the cabinet. (Refer to Illustration 1 for exact power cord exit location of your particular model). The electrical outlet must be flush with or recessed into the back wall.

**IMPORTANT NOTE:** Never use an extension cord to extend the power cord to the electrical receptacle.

**DANGER**  
**ELECTROCUTION HAZARD!!**  
**ELECTRICAL GROUNDING**

**REQUIRED. THIS APPLIANCE IS EQUIPPED WITH A THREE PRONG (GROUNDING) POLARIZED PLUG FOR YOUR PROTECTION AGAINST POSSIBLE SHOCK HAZARDS.**

- **NEVER REMOVE THE ROUND GROUNDING PRONG FROM THE PLUG.**
- **NEVER USE A TWO-PRONG GROUNDING ADAPTER.**
- **NEVER USE EXTENSION CORD TO CONNECT POWER TO THE UNIT.**

**WHERE A TWO-PRONG WALL RECEPTACLE IS ENCOUNTERED OR A LONGER POWER CORD IS REQUIRED, CONTACT A QUALIFIED ELECTRICIAN TO HAVE IT REPLACED IN ACCORDANCE WITH APPLICABLE ELECTRICAL CODES.**

## WARNING

**FAILURE TO COMPLY WITH THE ABOVE ELECTRICAL GUIDELINES MAY RESULT IN POSSIBLE INJURY/DEATH/FIRE OR LOSS OF PROPERTY.**

## UNPACKING AND MOVING

### CAUTION

**DO NOT CUT CARDBOARD SLEEVE COVERING THE UNIT. CUTTING MAY RESULT IN DAMAGE TO THE EXTERIOR OF THE CABINET.**

Uncrate the unit outside on a flat level surface. Remove the cardboard sleeve by removing the staples holding the sleeve to the wood-shipping base. Carefully lift the cardboard sleeve up over the top of the cabinet (this should be done with a minimum of two people, larger cabinets may require additional helpers). Carefully cut the banding

holding the cabinet to the wood-shipping base. Remove all packing materials from the interior of the cabinet and discard. Remove door(s), drawers and all cantilever, sliding or unfastened shelving from the cabinet.

To remove the door(s), remove the upper pivot pin using a standard straight blade screwdriver and turning the fastener counterclockwise (always support the door when unfastening the upper pivot pin). Once the upper pivot pin is loose pull the pin up and tip the door slightly away from the upper cabinet hinge. Gently lift up on the door to remove the door from the lower pivot pin. Set door aside in safe location to prevent damage. Re-install the upper pivot pin for safekeeping. Refer to PROCEDURE FOR SWITCHING DIRECTION OF DOOR SWING pages 13-15, STEP 1 for Removal and Step 6 for Re-hanging.

To remove cantilever shelving, lift shelf upward and pull forward. Set cantilever shelving aside for safekeeping.

To remove sliding shelving or sliding drawers, pull shelf or drawer forward until completely extended. Press on both release points on outside edge of shelf or drawer brackets and pull shelf or drawer completely out. Continue until all shelving has been removed from the cabinet. Set all drawers and shelving aside for safekeeping.

**WARNING**  
**PULL ONLY ONE DRAWER OR SHELF OUT AT A TIME TO PREVENT POSSIBLE TIP-OVER.**

**CAUTION**  
**SUPPORT SLIDING DRAWERS AND SLIDING SHELVING HORIZONTALLY AND PULL STRAIGHT OUT TO AVOID DAMAGE TO SLIDES.**

Carefully lift cabinet off wood base and onto a hand truck(s) or dolly. Ensure cabinet is balanced on transporting device. Multi-door cabinets have an offset center of gravity towards the left-most door when facing the front of the cabinet due to the refrigeration system in and under the first door. Secure the cabinet to the transporting device(s) using soft flexible strapping (to prevent damage to exterior cabinet finish cover and protect cabinet with cloth material where banding touches the cabinet).

**WARNING**  
**A MINIMUM OF TWO PEOPLE SHOULD LIFT THE CABINET OFF THE WOOD BASE. LARGER CABINETS MAY REQUIRE ADDITIONAL HELPERS TO REMOVE FROM THE WOOD SHIPPING BASE.**

Carefully move cabinet to installation opening. Place in front of opening.

**ANTI-TIP-OVER INSTALLATION**

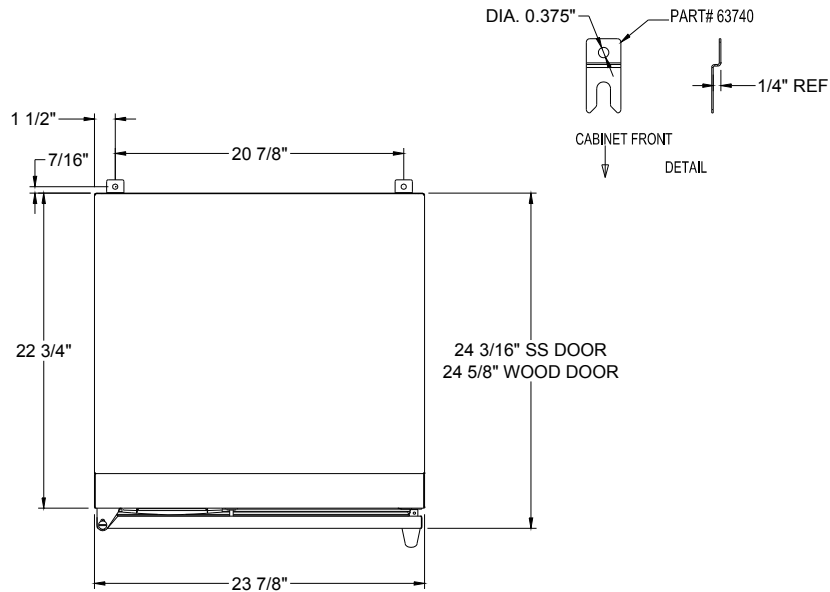
**WARNING**  
**TO PREVENT THE UNIT FROM TIPPING FORWARD IF LOADED BOTTLE RACKS, LOADED PULLOUT SHELVES OR DRAWERS ARE PULLED OUT AT ONE TIME, AND TO PROVIDE A STABLE INSTALLATION, THE UNIT MUST BE SECURED IN PLACE WITH AN ANTI-TIP DEVICE.**

A set of metal anti-tip brackets and installation screws (#10 X 3/4" wood screw) are supplied with the unit. This

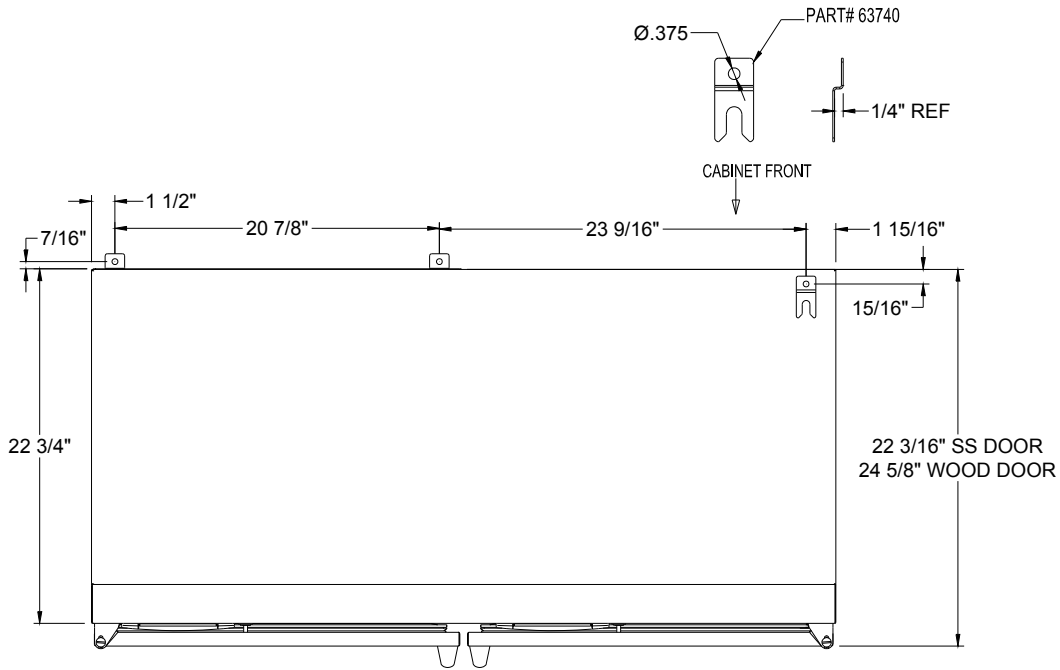
device should be attached to the floor, towards the back of the appliance; each bracket located to catch each rear leveling leg when inserted into the opening. The anti-tip brackets must catch each of the feet to have a stable

and safe installation. Some installation sites might need to be modified to provide a secure surface for attaching the bracket. Refer to Illustration 2, 3 or 4 below for anti-tip mounting bracket locations.

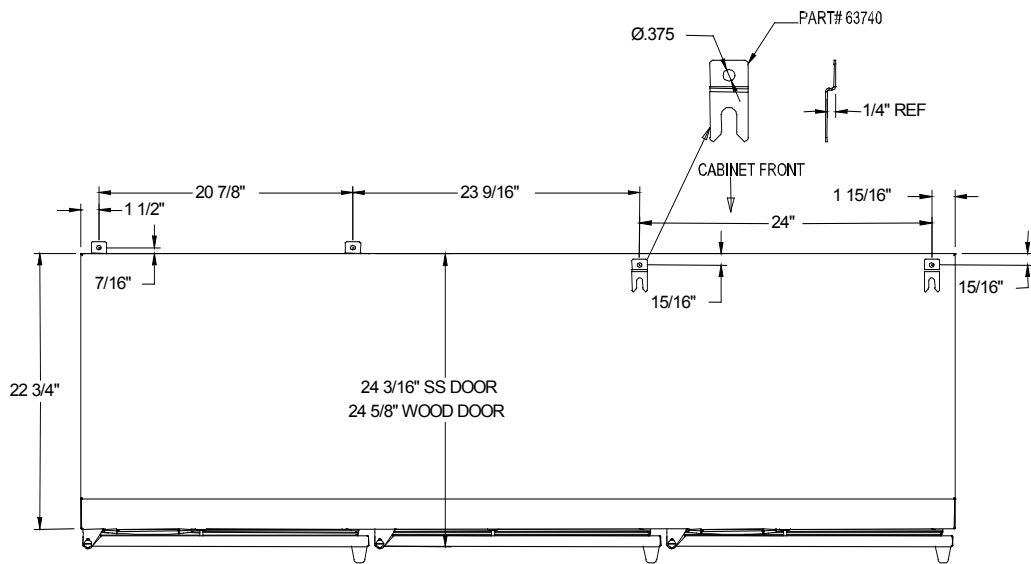
## ILLUSTRATION 2. SINGLE DOOR ANTI-TIP LAYOUT.



### ILLUSTRATION 3. TWO-DOOR ANTI-TIP LAYOUT.



### ILLUSTRATION 4. THREE-DOOR ANTI-TIP LAYOUT.



**IMPORTANT NOTE:** If installing on a concrete floor, concrete fasteners are required and not included with the anti-tip kit.

## **INSTALLING**

### **CAUTION**

**ANY FINISHED FLOORING SHOULD BE PROTECTED WITH APPROPRIATE MATERIAL TO AVOID DAMAGE FROM MOVING THE UNIT. IF FOR ANY REASON THE UNIT HAS BEEN LAID ON ITS BACK OR SIDES, YOU MUST ALLOW THE UNIT TO STAND UPRIGHT FOR A MINIMUM OF 24 HOURS BEFORE CONNECTING POWER.**

Re-install the doors by removing the upper pivot pin completely, sliding the door onto the lower pivot pin and re-installing the upper pivot pin and fastening tightly. Before moving the unit, make sure the door is secured to the cabinet (tape may be required to hold the doors closed).

Plug the unit into the 15 amp grounded outlet located in the cabinet installation opening. With power applied to the appliance, check for lighting and cooling before going any further. Once you are satisfied the unit is operating properly, turn off the power to the wall outlet at the circuit breaker and proceed.

### **WARNING**

**SHUT OFF POWER TO THE WALL OUTLET BEFORE INSTALLING INTO THE OPENING.**

Check the surrounding cabinetry to ensure that the front face and interior opening is level and square. Check to ensure the entire floor where the cabinet

is to be installed is level. Check that the countertop bottom front edge is level. If all surfaces are level, measure from the floor to the bottom of the front edge of the countertop. Measure the rear of refrigerated cabinet from floor to top of cabinet at back corners. Adjust rear corner leveling legs to achieve identical measurements as previously measured from floor to bottom edge of countertop. Adjust legs by turning counterclockwise to raise the unit and clockwise to lower the unit, using an adjustable wrench or pliers. Once measurements are identical, and if the cabinet has additional leveling legs on rear of cabinet, adjust to proper height to support center of cabinet.

**IMPORTANT NOTE:** Leveling legs should not be extend more than  $\frac{3}{4}$ " from bottom of the cabinet.

**IMPORTANT NOTE:** The floor under the Perlick cabinet must be at the same level as the surrounding finished floor.

Slide the cabinet into position, making sure the rear cabinet leveling legs slide under the anti-tip devices. Push the cabinet into the opening until the bottom front edge of the cabinet is flush with the surrounding cabinetry or the leveling legs are tight with the anti-tip devices (Refer to ANTI-TIP ILLUSTRATIONS on pages 8-9 for details). The rear cabinet leveling legs should be held between the anti-tip device and the floor.

To finish the leveling of the cabinet, shim the front of the cabinet so the front face of the cabinet is flush with the surrounding cabinetry. Adjust the front leveling legs to support the cabinet at the shimmed height. Adjust legs by turning counterclockwise to raise the

unit and clockwise to lower the unit, using an adjustable wrench or pliers. Countertop should be resting on top of cabinet.

**IMPORTANT NOTE:** If countertop is not resting on entire cabinet top, shimming of the countertop should be performed to prevent damage to the countertop.

**CAUTION**  
**CARE SHOULD BE TAKEN TO PREVENT DAMAGE TO THE REFRIGERATED CABINET AND COUNTERTOP BY NEVER PLACING HEAVY OBJECTS ON TOP OF THE COUNTERTOP DIRECTLY ABOVE THE APPLIANCE.**

Check interior door openings inside the cabinet to ensure the cabinet is level. Re-install all shelving and drawers. Take extreme care to insert sliding

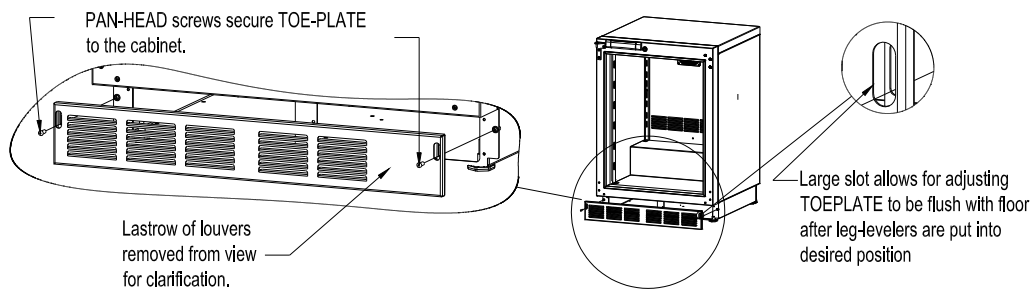
shelving and sliding drawers squarely into slide brackets and proper slide bracket grooves. When sliding shelving and drawers are installed properly a click should be heard from both slide bracket retaining clips and should slide smoothly in the tracks. When sliding shelving or drawers are pulled out to full extension a stop is activated to prevent additional pull-out.

**CAUTION**  
**IMPROPER SHELVING OR DRAWER INSTALLATION MAY NOT ACTUATE SLIDE STOP MECHANISM.**

### TOE PLATE INSTALLATION

When the unit is secured in place, install the louvered toe plate. Using included fasteners, secure the louvered toe plate to the cabinet flush with the floor. Refer to TOE-PLATE INSTALLATION ILLUSTRATION below.

### ILLUSTRATION 5. TOE PLATE INSTALLATION.



**CAUTION**  
**THE LOUVERED TOE PLATE MUST BE REMOVABLE FOR SERVICING. THE FLOOR CANNOT INTERFERE WITH REMOVAL. THE LOUVERED**

**SECTIONS OF THE TOE PLATE MUST NOT BE COVERED OR OBSTRUCTED SO AS TO PREVENT PROPER AIR CIRCULATION.**

## DOOR REVERSING

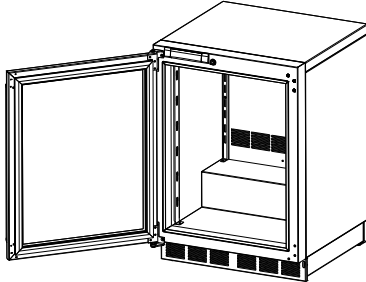
All Perlick Residential Refrigerated Cabinets come equipped with field reversible left or right hand opening door capabilities. Refer to DOOR REVERSING ILLUSTRATIONS on pages 13-14. To reverse the opening of the door remove the top pivot pin from the upper cabinet hinge bracket. Pull the top pivot pin out of door hinge bracket and remove the door by tilting forward and lifting off bottom hinge pin. Re-install pivot pin in top hinge. Remove cabinet hinge screw hole plugs (3 each, top and bottom) from new hinge location. Do not discard. Remove the bottom cabinet hinge bracket (3 screws). Remove lower cabinet hinge bracket (3 screws). Remove door closer insert from the lower cabinet hinge bracket and install on new bottom hinge bracket (old top hinge bracket). Install new bottom

cabinet hinge bracket at new bottom hinge location. Install new top cabinet hinge bracket at new top hinge location. Remove upper and lower door hinge brackets from door (3 screws each). Remove door closer insert from lower door hinge bracket and install on new lower door hinge bracket (old top door hinge bracket). Rotate the door 180° so handle is on new opening side (Old bottom of door is new top of door). Install new lower door hinge bracket to bottom of door (3 screws). Install new upper door hinge bracket to top of door (3 screws). Remove top pivot pin from the upper cabinet hinge bracket. To re-install the door, slide lower door hinge bracket onto lower pivot pin. Tilt top of door into position aligned with top cabinet hinge bracket and install top pivot pin (tighten securely). Install cabinet hinge screw hole plugs removed earlier in open hinge holes (3 each, top and bottom).

## ILLUSTRATION 6. DOOR SWING REVERSAL PROCEDURE.

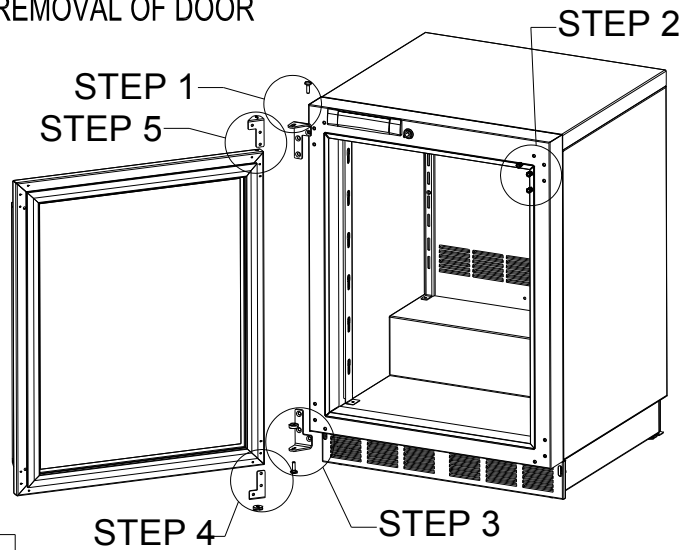
**Tools Required:**

- Large Flat-Head Screwdriver
- Regular Phillips-Head Screwdriver
- Small Phillips-Head Screwdriver



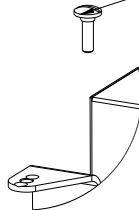
Unit shown with door mounted on left-hand side, available from factory mounted either left or right, exception is workboard units which only come mounted on left. All doors can be changed by customer.

### REMOVAL OF DOOR



Remove TOP HINGE PIN. Use caution with screwdriver so as not to damage front of unit

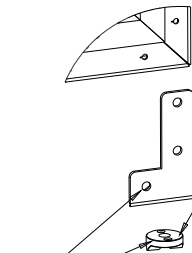
#### STEP 1



After removal of HINGE PIN, carefully tilt door out of BRACKET and lift away from BOTTOM HINGE PIN, set door to the side.

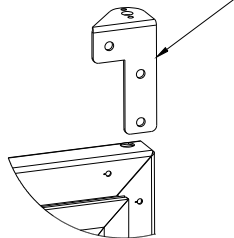
#### STEP 5

Remove TOP HINGE BRACKET from door to allow assembly of the DOOR CLOSING INSERT which was removed from the BOTTOM HINGE BRACKET to the door after adding the INSERT.

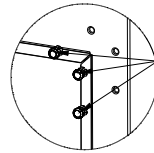


#### STEP 4

Remove BOTTOM HINGE BRACKET of door to allow removal of the DOOR CLOSING INSERT, immediately replace BOTTOM HINGE BRACKET.



#### STEP 2

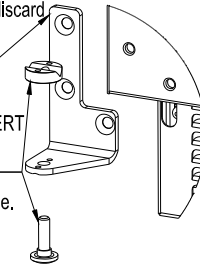


Remove HOLE PLUGS on right side of unit. Plugs fit very tightly into holes, be careful not to scratch front surface of unit during removal. Top and bottom plugs need to be removed, DO NOT discard.

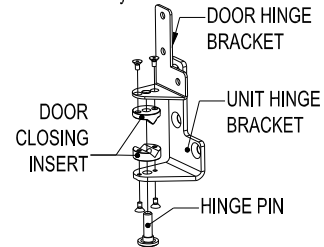
#### STEP 3

Remove top and bottom HINGE BRACKETS from unit.

Remove DOOR CLOSING INSERT and HINGE PIN from BOTTOM HINGE BRACKET of unit. See detail view at bottom of page.



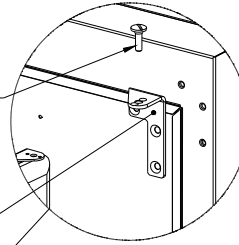
Detail view of entire BOTTOM DOOR HINGE assembly.



## RE-HANGING OF DOOR

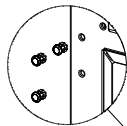
### STEP 6

TOP HINGE PIN to be inserted last, DOOR must be gently lifted onto BOTTOM HINGE PIN, then tilted into place before TOP PIN can be added to finish the Installation.



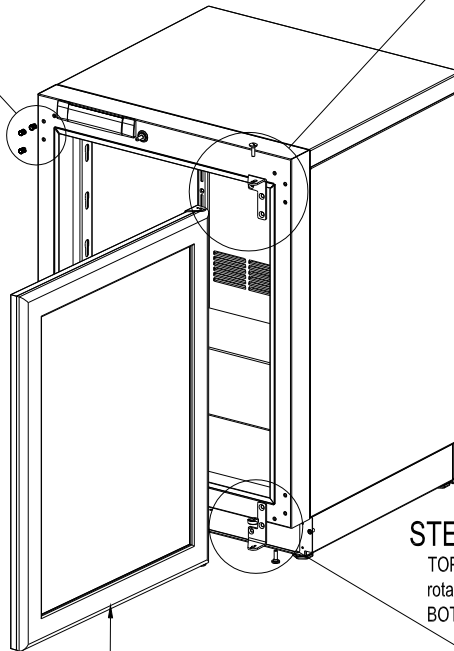
### STEP 1

LOWER LEFT HINGE BRACKET rotates 180° and becomes UPPER RIGHT HINGE BRACKET.



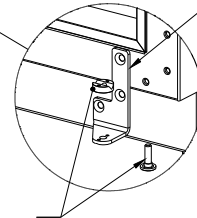
### STEP 4

HOLE PLUGS to be inserted into vacant Left-Hung door mounting holes. DO NOT HIT WITH A HAMMER as it may damage unit face. Instead, use handle of hammer or block of wood to push plugs into holes



### STEP 2

TOP LEFT HINGE BRACKET rotates 180° and becomes BOTTOM RIGHT HINGE BRACKET.



### STEP 5

Door bottom on the right-mounted version was door top on left-mounted version. Before attempting to re-mount door, move into place to verify that;

- The DOOR HANDLE will stay on the outside of the door swing
- The DOOR CLOSING INSERTS on both the door and the unit are on the bottom
- All screws are tight using hand tools, over-tightening with power tools may result in damage to the unit.

### STEP 3

BOTTOM HINGE PIN and DOOR CLOSER INSERT assemble to BOTTOM RIGHT HINGE BRACKET.

## DOOR OPTIONS

Perlick Residential Refrigerated cabinets offer a variety of door panel design alternatives; solid stainless steel, solid wood overlay, stainless steel glass

and wood overlay glass. This, together with door swing choices, result in a variety of possible combinations.

Solid stainless steel and stainless steel glass doors are shipped from the factory with decorative stainless steel panels

and handles in place on the appliance, ready for use.

Solid wood overlay and glass wood overlay doors are designed to accept a decorative front panel to match surrounding cabinetry and door handles. This panel and door handle will be provided by the customer.

All Perlick Refrigerated cabinets accept any of the above door configurations and are fully hinge reversible and interchangeable.

**IMPORTANT NOTE: DRAWERS CAN REPLACE ANY SECOND OR THIRD DOOR ON A MULTI-DOOR CABINET WITH THE ADDITION OF A FACTORY INSTALLED MULLION.**

**IMPORTANT NOTE: CABINETS WITH A FIRST DOOR FREEZER CAN ONLY UTILIZE A SOLID STAINLESS STEEL DOOR OR A SOLID WOOD OVERLAY DOOR (STAINLESS STEEL GLASS OR WOOD OVERLAY GLASS DOORS WILL SWEAT IF INSTALLED ON A FREEZER SECTION).**

**IMPORTANT NOTE: STAINLESS STEEL GLASS OR WOOD OVERLAY GLASS DOORS MAY SWEAT IN CONDITIONS WITH RELATIVE HUMIDITY OVER 75%.**

## **INSTALLATION OF WOOD OVERLAYS**

Before beginning installation, check for the correct components for the fit and finish desired. All overlay doors require a trim panel at least 3/4" thick. The solid wood overlay panel should not weigh more than 20 pounds. The glass wood overlay panel should not weigh more than 10 pounds. The solid wood drawer overlay panels should not weigh more than 10 pounds each.

This section gives detailed instructions of how to install a solid wood overlay or glass wood overlay panel and handle to a Perlick Customizable door or drawer.

**NOTE: CONTACT THE FACTORY FOR FULL-SIZED WOOD OVERLAY PANEL LAYOUTS.**

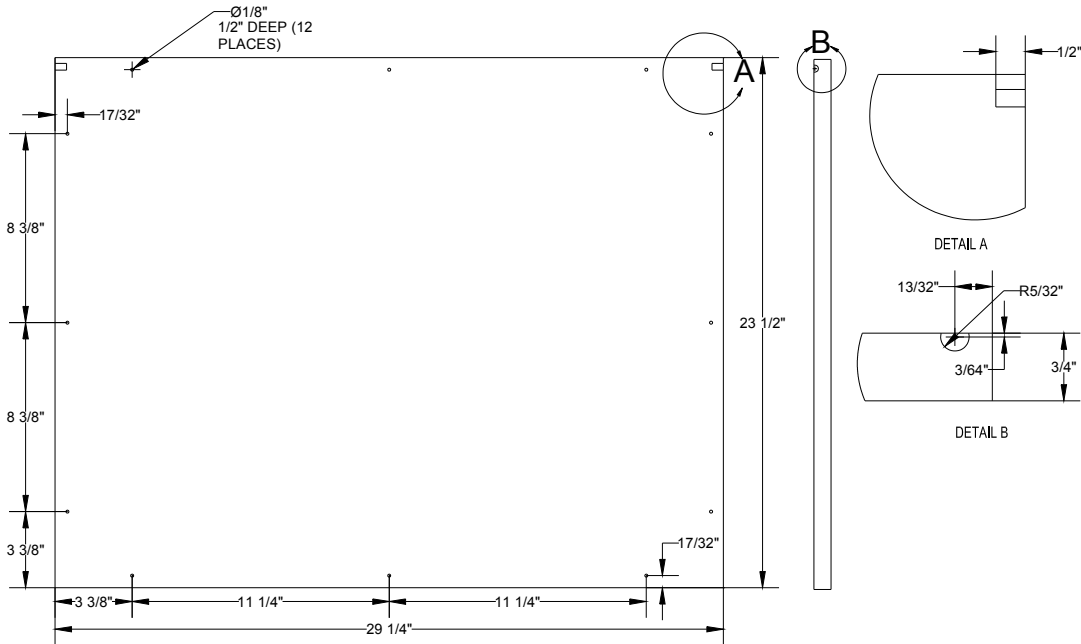
See Illustration 7 for details for the design of a solid wood overlay panel.

See Illustration 8 for details for the design of a glass wood overlay panel.

See Illustration 9 for details for the design of a solid wood drawer overlay panel.

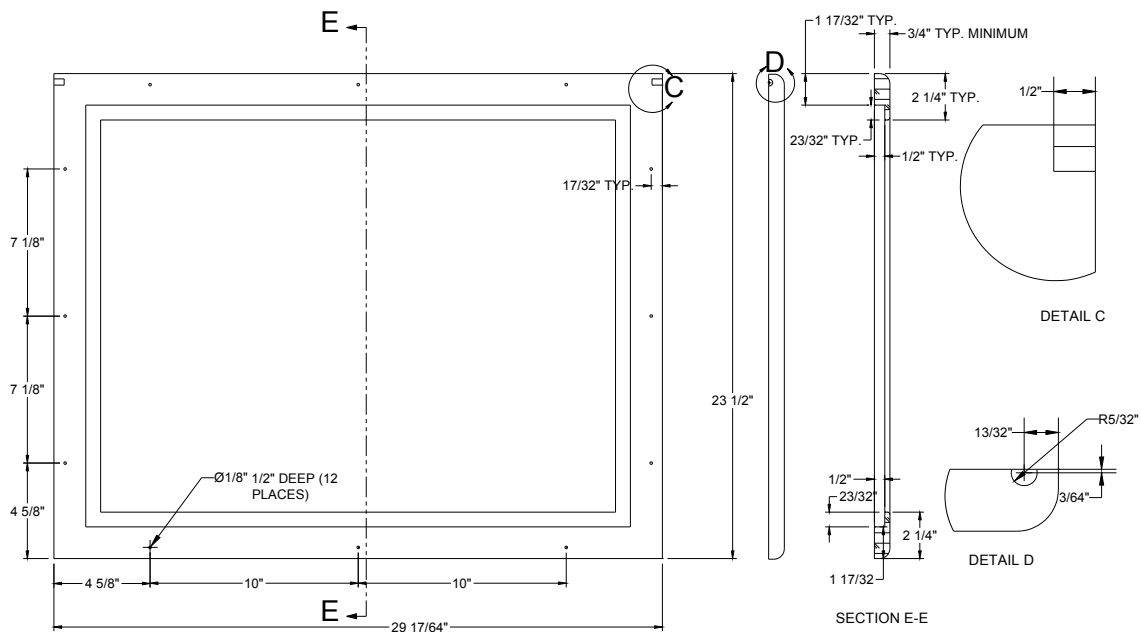
## ILLUSTRATION 7. SOLID WOOD OVERLAY PANEL.

**WARNING: SOLID WOOD OVERLAY PANEL MUST NOT EXCEED 20 POUNDS IN WEIGHT.**



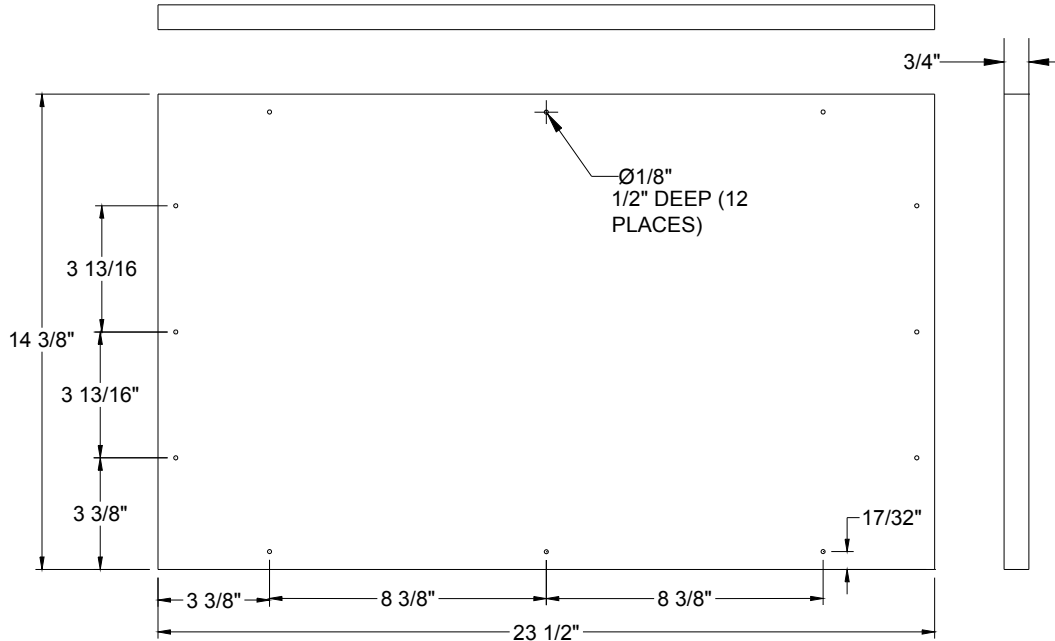
## ILLUSTRATION 8. GLASS WOOD OVERLAY PANEL.

**WARNING: GLASS WOOD OVERLAY PANEL MUST NOT EXCEED 10 POUNDS IN WEIGHT.**



## ILLUSTRATION 9. SOLID WOOD DRAWER OVERLAY PANEL.

**WARNING: THE SOLID WOOD DRAWER OVERLAY PANEL MUST NOT EXCEED 10 POUNDS IN WEIGHT.**



Inspect the wood door panel for the proper design specified in the previous illustrations. The handle must be attached to the wood panel. The handle must be attached to that first.

**IMPORTANT NOTE: HANDLE MOUNTING ON WOOD OVERLAY DOOR SHOULD ALWAYS BE MOUNTED ON WOOD OVERLAY ONLY TO AVOID DAMAGE TO FACTORY DOOR. SEE PREVIOUS DESIGN ILLUSTRATIONS FOR ACCEPTABLE HANDLE MOUNTING HARDWARE PASSAGE THROUGH WOOD OVERLAY PORTION OF THE DOOR SO FASTENERS DO NOT INTERFERE.**

To attach the door handle to wood overlay panel, first decide which direction the door will be hinged. Once

decided, mark rear of wood overlay panel with handle fastener location(s). Drill through wood overlay panel at marked handle fastening location(s) taking proper care to not damage the wood overlay panel. Countersink screw head(s) so when installed in the wood overlay panel the screw head(s) is/are flush with the backside of the wood overlay panel.

**CAUTION  
PROPER WOOD WORKING MATERIALS AND EQUIPMENT SHOULD BE USED TO AVOID DAMAGE OR ERRORS IN WORKMANSHIP.**

Decorative wood panels should be attached to the factory supplied overlay doors using #10 X 1" wood screws passing through the doorframe from the

rear, into the overlay panel. The factory supplied overlay doorframe is predrilled for ease of overlay panel installation.

**IMPORTANT NOTE: DO NOT OVER-TIGHTEN WOOD OVERLAY ATTACHMENT SCREWS AS THIS MAY DAMAGE FACTORY SUPPLIED DOORFRAME.**

With the cabinet secured in position, open cabinet door and ensure wood overlay panel predrilled pilot fastening holes align with factory door frame predrilled holes. Start inserting fasteners in four corners of the doorframe and fasten loosely. Before proceeding with additional mounting fasteners, check for overall wood overlay fit, position and function. Make minor adjustments as needed. Upon satisfaction with appearance, securely tighten existing screws. Complete installation of wood overlay panel by installing the rest of the fasteners and completely tightening. Check all screws for tightness.

**STORAGE CAPABILITES**

**IMPORTANT NOTE: INTERIOR LOUVER OPENINGS AND FAN GUARD OPENINGS SHOULD NEVER BE OBSTRUCTED TO ACHIEVE MAXIMUM PERFORMANCE.**

Two types of shelving are available for freezer and refrigerator compartments, cantilever and full extension pullout shelves. The cantilever or full extension pullout wire-formed shelving comes with a durable black vinyl coated finish impermeable to rust and corrosion with side rails to prevent container tip-over. The full extension allows for easy product loading, removal as well as

visual inspection. One fixed storage bottom step wire-formed shelf with the same durable finish comes standard with each cabinet.

One type of shelving is available for wine cooler compartments, full extension wine racks. The full extension wire-formed wine racks come with the same durable black vinyl coated finish and allow for full extension for easy bottle loading, removal and visual inspection. The fixed storage wire-formed wine rack is coated with the same durable black vinyl coated finish and is sized to hold any size of wine bottle. All wine rack spacing has been designed to optimize flexibility in storage of various sized wine bottles.

**SINGLE DOOR FREEZER & SINGLE DOOR REFRIGERATOR**

The single door freezer (H1F) and the single door refrigerator (H1R) come standard with either a single black vinyl coated cantilever or full extension pullout shelf and a bottom step shelf. One additional black vinyl coated cantilever or pullout shelf can be used in these cabinets.

**SINGLE DOOR WINE COOLER**

The single door wine cooler (H1W) comes standard with four full extension black vinyl coated wine racks capable of storing 32 total wine bottles (standard, magnum, or half size bottles). An additional fixed storage rack is nestled into the lower step for storage of an additional 10 wine bottles (standard, magnum, or half size bottles).

## **TWO DOOR FREEZER/REFRIGERATOR & TWO DOOR ALL- REFRIGERATOR**

The two-door freezer/refrigerator (H2FR) and the two-door all-refrigerator (H2RO) come standard with three black vinyl coated cantilever or pullout shelves and a bottom step shelf. Up to two additional black vinyl coated cantilever or pullout shelves can be used in these cabinets.

## **TWO DOOR REFRIGERATOR/WINE COOLER**

The two door refrigerator/wine cooler (H2RW) comes standard with one black vinyl coated cantilever or pull-out shelf, a bottom step shelf and six full extension black vinyl coated wine racks capable of storing 48 total wine bottles (standard, magnum, or half size bottles). One additional black vinyl coated cantilever or pullout shelf can be used in this cabinet.

## **TWO DOOR ALL WINE COOLER**

The two door all-wine cooler (H2WW or H2WO) comes standard with ten full extension black vinyl coated wine racks capable of storing 80 total wine bottles (standard, magnum, or half size bottles). An additional fixed storage rack is nestled into the lower step of the first door for storage of an additional 10 wine bottles (standard, magnum, or half size bottles). If the cabinet is a multi-zone wine cooler the first door can hold 42 total wine bottles while the second door can hold 48 total wine bottles.

## **THREE DOOR FREEZER/REFRIGERATOR/RE- FRIGERATOR & THREE DOOR ALL-REFRIGERATOR**

The three-door freezer/refrigerator/refrigerator (H3FRO) and the three-door all-refrigerator (H3ROO) come standard with five black vinyl coated cantilever or pullout shelves and a bottom step shelf. Up to three additional black vinyl coated cantilever or pullout shelves can be used in these cabinets.

## **THREE DOOR REFRIGERATOR/REFRIGERA- TOR/WINE COOLER**

The three door refrigerator/refrigerator/wine cooler (H3ROW) comes standard with three black vinyl coated cantilever or pull-out shelves, a bottom step shelf and six full extension black vinyl coated wine racks capable of storing 48 total wine bottles (standard, magnum, or half size bottles). Up to two additional black vinyl coated cantilever or pullout shelves can be used in this cabinet.

## **THREE DOOR REFRIGERATOR/WINE COOLER/WINE COOLER**

The three door refrigerator/wine cooler/wine cooler (H3RWO or H3RWW) comes standard with one black vinyl coated cantilever or pull-out shelf, a bottom step shelf and twelve full extension black vinyl coated wine racks capable of storing 96 total wine bottles (standard, magnum, or half size bottles). Up to one additional black vinyl coated cantilever or pullout shelf can be used in

this cabinet. The second and third door wine cooler compartments each can hold 48 wine bottles.

### THREE DOOR ALL WINE COOLER

The three door all wine cooler (H3WOO, H3WOW, H3WWO, or H3WWW) comes standard with sixteen full extension black vinyl coated wine racks capable of storing 128 total wine bottles (standard, magnum, or half size bottles). An additional fixed storage rack is nestled into the lower step of the first door for storage of an additional 10 wine bottles (standard, magnum, or half size bottles). If the cabinet is a multi-zone wine cooler the first door can hold 42 total wine bottles while the second door and third doors can each hold 48 total wine

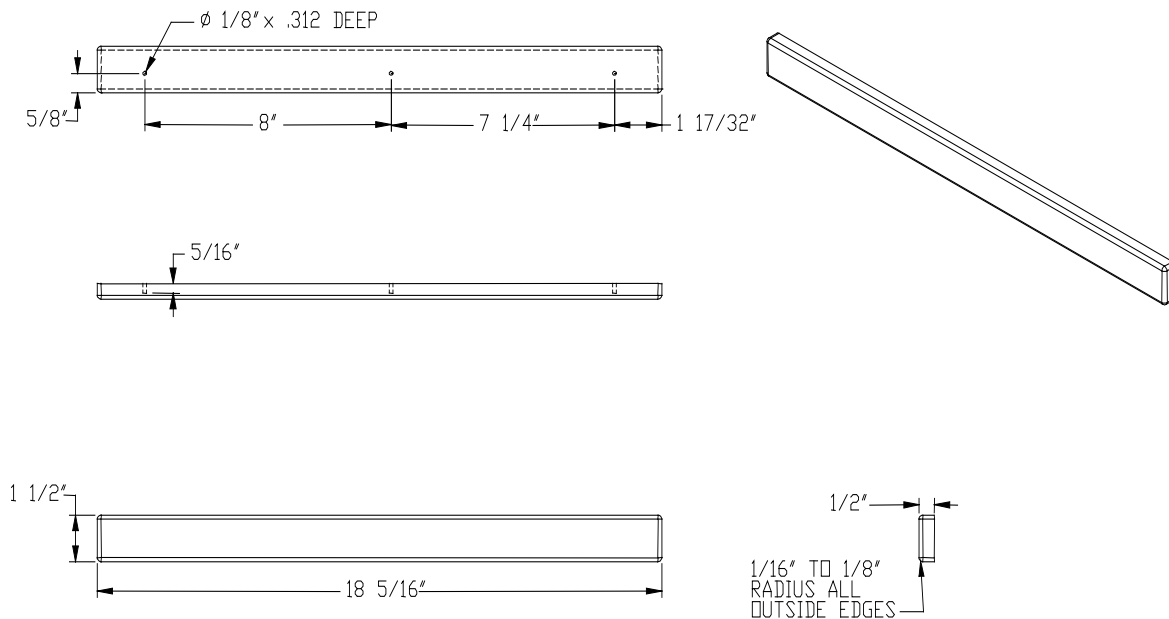
bottles.

### WOODEN WINE RACK TRIM FINISHING

All wine racks come with an unfinished solid hardwood face, which can be removed and replaced with other wood to match your cabinetry. See design illustration 10 below for wine rack face details.

The included unfinished faces can be finished and sealed. In many cases stains and/or finishes have odors that may be objectionable in an enclosed area. To remove the front wood-face from the wine shelf, simply pull out the wine shelf and remove the fasteners, finish as desired and re-install with fasteners.

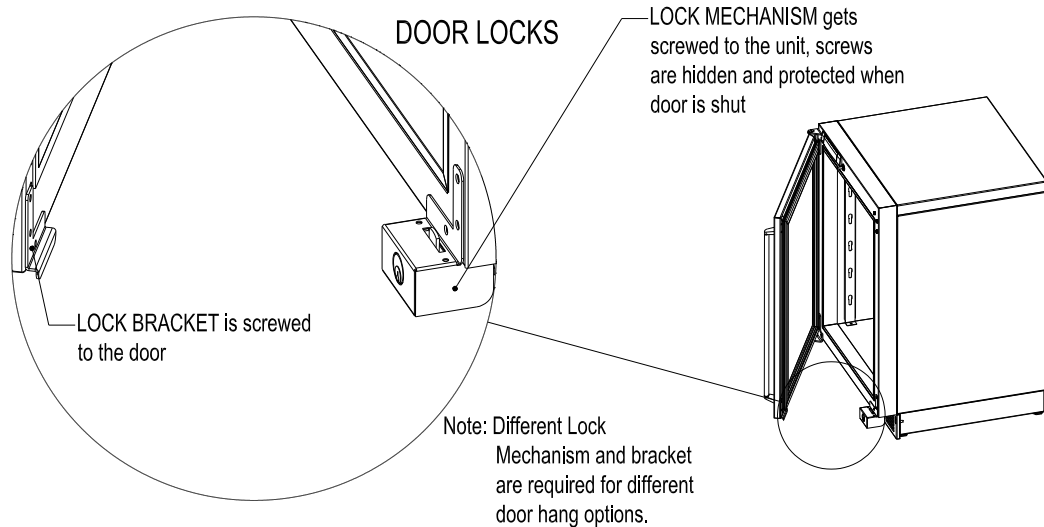
### ILLUSTRATION 10. WOODEN WINE RACK TRIM DESIGN.



## LOCK INSTALLATION & REVERSING

A Door Lock Kit can be ordered as an accessory. Two kits are available a right hand opening and a left hand opening kit. To install or remove the lock, remove the three fasteners holding the Lock Mechanism to the cabinet and the three fasteners holding the Lock Bracket to the door.

### ILLUSTRATION 11. DOOR LOCK INSTALLATION



## OPERATION

### SINGLE DOOR FREEZER OPERATION

The Perlick Single Door Freezer (H1F) comes equipped with a state of the art refrigeration system. The compressor is of a variable speed variety, which automatically changes speeds based on system conditions and load. The cabinet is equipped with an adjustable digital temperature controller and LED display. The controller can be adjusted through a range of -10°F to +10°F. The controller has been factory set to modulate from -3°F to +5°F. To properly determine product temperature

see "CHECKING PRODUCT TEMPERATURE" on page 44.

**IMPORTANT NOTE: ALWAYS ALLOW CABINET TO RUN FOR A MINIMUM OF 24 HOURS TO ALLOW TEMPERATURE STABILIZATION AFTER START-UP BEFORE STORING PERISHABLE ITEMS.**

This cabinet is a frost-free model meaning the evaporator (cooling coil) automatically defrosts on demand at predetermined intervals. The controller also has a manual defrost soft button on the front panel signified by a melting snowflake. If depressed it will automatically put the system into a defrost cycle.

## **PROPER PRODUCT STORAGE**

Install items as desired. Do not block internal louvers or fan guard openings, as this will decrease operating performance.

## **CONTROL SETTINGS**

The cabinet is shipped with the controller turned ON. To turn the cabinet OFF or ON press the blue soft button on the front face of the controller (if the controller is turned off with power applied to the cabinet the LED display will read OFF, when turned on it will read a temperature). The controller is located on the top front face of the cabinet and is equipped with a tinted see-through lens, which opens by pulling out on the bottom of the lens and rotating upwards. Always ensure lens cover is closed before closing door to avoid damage to the controller or lens.

The electronic control comes preset for a product temperature of approximately 0°F with a product temperature adjustability range of -10°F to +5°F. To change temperature controller settings see section “TEMPERATURE CONTROLLER ADJUSTMENTS” on page 42.

**IMPORTANT NOTE: THE LED DISPLAY IS READING ACTUAL AIR TEMPERATURE NOT PRODUCT TEMPERATURE. UNDER THESE CONDITIONS, AN 8°F AIR TEMPERATURE SWING DOES NOT CHANGE THE ACTUAL PRODUCT TEMPERATURE. PRODUCT TEMPERATURE REMAINS AT A VERY STABLE TEMPERATURE. LIGHT SWITCH AND BULB**

Your Single Door Freezer has an interior light that is illuminated when the door is opened. The cabinet also comes standard with a manual light switch located next to the light. Always ensure that the manual switch is in the off position before closing the door. If manual light switch is left on for an extended period of time it may increase the cabinet temperature, especially at the top and cause the refrigeration system to run longer.

## **SINGLE DOOR REFRIGERATOR OPERATION**

The Perlick Single Door Refrigerator (H1R) comes equipped with a state of the art refrigeration system. The compressor is of a variable speed variety, which automatically changes speeds based on system conditions and load. The cabinet is equipped with an adjustable digital temperature controller and LED display. The controller can be adjusted through a range of 30°F to 42°F. The controller has been factory set to modulate from 34°F to 40°F. To properly determine product temperature see “CHECKING PRODUCT TEMPERATURE” on page 44.

**IMPORTANT NOTE: ALWAYS ALLOW CABINET TO RUN FOR A MINIMUM OF 24 HOURS TO ALLOW TEMPERATURE STABILIZATION AFTER START-UP BEFORE STORING PERISHABLE ITEMS.**

This cabinet is a frost-free model meaning the evaporator (cooling coil) automatically defrosts during off cycles. The controller also has a manual defrost soft button on the front panel signified by a melting snowflake, which is disabled for this model.

## PROPER PRODUCT STORAGE

Install items as desired. Do not block internal louvers or fan guard openings, as this will decrease operating performance.

## CONTROL SETTINGS

The cabinet is shipped with the controller turned ON. To turn the cabinet OFF or ON press the blue soft button on the front face of the controller (if the controller is turned off with power applied to the cabinet the LED display will read OFF, when turned on it will read a temperature). The controller is located on the top front face of the cabinet and is equipped with a tinted see-through lens, which opens by pulling out on the bottom of the lens and rotating upwards. Always ensure lens cover is closed before closing door to avoid damage to the controller or lens.

The electronic control comes preset for a product temperature of approximately 38°F with a product temperature adjustability range of 33°F to 45°F. To change temperature controller settings see section “TEMPERATURE CONTROLLER ADJUSTMENTS” on page 42.

**IMPORTANT NOTE: THE LED DISPLAY IS READING ACTUAL AIR TEMPERATURE NOT PRODUCT TEMPERATURE. UNDER THESE CONDITIONS, A 6°F AIR TEMPERATURE SWING DOES NOT CHANGE THE ACTUAL PRODUCT TEMPERATURE. PRODUCT TEMPERATURE REMAINS AT A VERY STABLE TEMPERATURE.**

## LIGHT SWITCH AND BULB

Your Single Door Refrigerator has an interior light that is illuminated when the door is opened. The cabinet also comes standard with a manual light switch located next to the light for displaying your products through a glass door. Always ensure that the manual switch is in the off position before closing a solid wood or stainless steel door. If manual light switch is left on for an extended period of time it may increase the cabinet temperature, especially at the top and cause the refrigeration system to run longer.

## SINGLE DOOR WINE COOLER OPERATION

The Perlick Single Door Wine Cooler (H1W) comes equipped with a state of the art refrigeration system. The compressor is of a variable speed variety, which automatically changes speeds based on system conditions and load. The cabinet is equipped with an adjustable digital temperature controller and LED display. The controller can be adjusted through a range of 40°F to 68°F. The controller has been factory set to modulate from 53°F to 57°F. To properly determine product temperature see “CHECKING PRODUCT TEMPERATURE” on page 44.

**IMPORTANT NOTE: ALWAYS ALLOW CABINET TO RUN FOR A MINIMUM OF 24 HOURS TO ALLOW TEMPERATURE STABILIZATION AFTER START-UP BEFORE STORING PERISHABLE ITEMS.**

This cabinet is a frost-free model meaning the evaporator (cooling coil) automatically defrosts during off cycles.

The controller also has a manual defrost soft button on the front panel signified by a melting snowflake, which has been disabled for this model.

## **PROPER PRODUCT STORAGE**

This wine cooler will accommodate 42 bottles of wine. Specially designed full extension wine racks allow for proper horizontal storage of the wine. The cork remains moist, which keeps air from entering the bottle. Do not block internal louvers or fan guard openings, as this will decrease operating performance.

## **CONTROL SETTINGS**

The cabinet is shipped with the controller turned ON. To turn the cabinet OFF or ON press the blue soft button on the front face of the controller (if the controller is turned off with power applied to the cabinet the LED display will read OFF, when turned on it will read a temperature). The controller is located on the top front face of the cabinet and is equipped with a tinted see-through lens, which opens by pulling out on the bottom of the lens and rotating upwards. Always ensure lens cover is closed before closing door to avoid damage to the controller or lens.

The electronic control comes preset for a product temperature of approximately 55°F with a product temperature adjustability range of 42°F to 70°F. To change temperature controller settings see section “TEMPERATURE CONTROLLER ADJUSTMENTS” on page 42.

**IMPORTANT NOTE: THE LED DISPLAY IS READING ACTUAL AIR TEMPERATURE NOT PRODUCT**

**TEMPERATURE. UNDER THESE CONDITIONS, A 4°F AIR TEMPERATURE SWING DOES NOT CHANGE THE ACTUAL PRODUCT TEMPERATURE. PRODUCT TEMPERATURE REMAINS AT A VERY STABLE TEMPERATURE.**

## **LIGHT SWITCH AND BULB**

Your Single Door Wine Cooler has an interior light that is illuminated when the door is opened. The cabinet also comes standard with a manual light switch located next to the light for displaying your products through a glass door. If manual light switch is left on for an extended period of time it may increase the cabinet temperature and in turn product temperature, especially in close proximity to the light at the top and cause the refrigeration system to run longer.

## **TWO DOOR FREEZER/REFRIGERATOR OPERATION**

The Perlick Two Door Freezer/Refrigerator (H2FR) comes equipped with a state of the art refrigeration system. The compressor is of a variable speed variety, which automatically changes speeds based on system conditions and load. The cabinet is equipped with two adjustable digital temperature controllers and LED displays. The freezer controller can be adjusted through a range of -10°F to +10°F. The freezer controller has been factory set to modulate from -3°F to +5°F. The refrigerator controller can be adjusted through a range of 30°F to 42°F. The refrigerator controller has been factory set to modulate from 37°F

to 39°F. To properly determine product temperature see “CHECKING PRODUCT TEMPERATURE” on page 44.

**IMPORTANT NOTE: ALWAYS ALLOW CABINET TO RUN FOR A MINIMUM OF 24 HOURS TO ALLOW TEMPERATURE STABILIZATION AFTER START-UP BEFORE STORING PERISHABLE ITEMS.**

This cabinet is a frost-free model meaning the evaporator (cooling coil) automatically defrosts on demand at predetermined intervals. The controller also has a manual defrost soft button on the front panel signified by a melting snowflake. If depressed it will automatically put the system into a defrost cycle.

**PROPER PRODUCT STORAGE**

Store product as desired. Do not block internal louvers or fan guard openings, as this will decrease operating performance.

**CONTROL SETTINGS**

The cabinet is shipped with the controllers turned ON. To turn the refrigeration system OFF or ON press the blue soft button on the front face of the freezer controller (if the controller is turned off with power applied to the cabinet the LED display will read OFF, when turned on it will read a temperature). The controller is located on the top front face of the cabinet above the left door and is equipped with a tinted see-through lens which opens by pulling out on the bottom of the lens and rotating upwards. Always ensure lens cover is closed before closing door

to avoid damage to the controller or lens. The refrigerator control looks and responds identical to the freezer control with the exception that it only controls the cooling system for the refrigerator zone and is located above the right door.

The freezer electronic control comes preset for a product temperature of approximately 0°F with a product temperature adjustability range of -10°F to +5°F. The refrigerator electronic control comes preset for a product temperature of approximately 38°F with a product temperature adjustability range of 33°F to 42°F. To change temperature controller settings see section “TEMPERATURE CONTROLLER ADJUSTMENTS” on page 42.

**IMPORTANT NOTE: THE LED DISPLAY IS READING ACTUAL AIR TEMPERATURE NOT PRODUCT TEMPERATURE. UNDER THESE CONDITIONS, AN 8°F AIR TEMPERATURE SWING IN THE FREEZER COMPARTMENT AND A 2°F AIR TEMPERATURE SWING IN THE REFRIGERATOR COMPARTMENT DOES NOT CHANGE THE ACTUAL PRODUCT TEMPERATURE. PRODUCT TEMPERATURE REMAINS AT A VERY STABLE TEMPERATURE.**

**LIGHT SWITCH AND BULB**

Your Two-Door Freezer/Refrigerator has two interior lights that are illuminated when the corresponding door is opened. The cabinet also comes standard with manual light switches located next to each light for displaying your products through a glass door. If manual light

switch is left on for an extended period of time it may increase the cabinet temperature, especially in close proximity to the light at the top and cause the refrigeration system to run longer.

## **TWO DOOR ALL-REFRIGERATOR OPERATION**

The Perlick Two Door All-Refrigerator (H2RO) comes equipped with a state of the art refrigeration system. The compressor is of a variable speed variety, which automatically changes speeds based on system conditions and load. The cabinet is equipped with an adjustable digital temperature controller and LED display. The controller can be adjusted through a range of 30°F to 42°F. The refrigerator controller has been factory set to modulate from 34°F to 40°F. To properly determine product temperature see “CHECKING PRODUCT TEMPERATURE” on page 44.

### **IMPORTANT NOTE: ALWAYS ALLOW CABINET TO RUN FOR A MINIMUM OF 24 HOURS TO ALLOW TEMPERATURE STABILIZATION AFTER START-UP BEFORE STORING PERISHABLE ITEMS.**

This cabinet is a frost-free model meaning the evaporator (cooling coil) automatically defrosts during off cycles. The controller also has a manual defrost soft button on the front panel signified by a melting snowflake, which has been disabled on this model.

## **PROPER PRODUCT STORAGE**

Store product as desired. Do not block internal louvers or fan guard openings, as this will decrease operating performance.

## **CONTROL SETTINGS**

The cabinet is shipped with the controllers turned ON. To turn the refrigeration system OFF or ON press the blue soft button on the front face of the controller (if the controller is turned off with power applied to the cabinet the LED display will read OFF, when turned on it will read a temperature). The controller is located on the top front face of the cabinet above the left door and is equipped with a tinted see-through lens which opens by pulling out on the bottom of the lens and rotating upwards. Always ensure lens cover is closed before closing door to avoid damage to the controller or lens.

The refrigerator electronic control comes preset for a product temperature of approximately 38°F with a product temperature adjustability range of 33°F to 45°F. To change temperature controller settings see section “TEMPERATURE CONTROLLER ADJUSTMENTS” on page 42.

### **IMPORTANT NOTE: THE LED DISPLAY IS READING ACTUAL AIR TEMPERATURE NOT PRODUCT TEMPERATURE. UNDER THESE CONDITIONS, A 6°F AIR TEMPERATURE SWING IN THE REFRIGERATOR COMPARTMENT DOES NOT CHANGE THE ACTUAL PRODUCT TEMPERATURE. PRODUCT TEMPERATURE REMAINS AT A VERY STABLE TEMPERATURE.**

## LIGHT SWITCH AND BULB

Your Two-Door All-Refrigerator has two interior lights that are illuminated when each corresponding door is opened. The cabinet also comes standard with manual light switches located next to each light for displaying your products through a glass door. If manual light switch is left on for an extended period of time it may increase the cabinet temperature, especially in close proximity to the light at the top and cause the refrigeration system to run longer.

## TWO DOOR ALL-WINE COOLER OPERATION

The Perlick Two Door All-Wine Cooler (H2WO) comes equipped with a state of the art refrigeration system. The compressor is of a variable speed variety, which automatically changes speeds based on system conditions and load. The cabinet is equipped with an adjustable digital temperature controller and LED display. The controller can be adjusted through a range of 40°F to 65°F. The refrigerator controller has been factory set to modulate from 53°F to 57°F. To properly determine product temperature see “CHECKING PRODUCT TEMPERATURE” on page 44.

**IMPORTANT NOTE: ALWAYS ALLOW CABINET TO RUN FOR A MINIMUM OF 24 HOURS TO ALLOW TEMPERATURE STABILIZATION AFTER START-UP BEFORE STORING PERISHABLE ITEMS.**

This cabinet is a frost-free model meaning the evaporator (cooling coil) automatically defrosts during off cycles.

The controller also has a manual defrost soft button on the front panel signified by a melting snowflake, which has been disabled on this model.

## PROPER PRODUCT STORAGE

This wine cooler will accommodate 90 bottles of wine. Specially designed full extension wine racks allow for proper horizontal storage of the wine. The cork remains moist, which keeps air from entering the bottle. Do not block internal louvers or fan guard openings, as this will decrease operating performance.

## CONTROL SETTINGS

The cabinet is shipped with the controller turned ON. To turn the refrigeration system OFF or ON press the blue soft button on the front face of the controller (if the controller is turned off with power applied to the cabinet the LED display will read OFF, when turned on it will read a temperature). The controller is located on the top front face of the cabinet above the left door and is equipped with a tinted see-through lens which opens by pulling out on the bottom of the lens and rotating upwards. Always ensure lens cover is closed before closing door to avoid damage to the controller or lens.

The wine cooler electronic control comes preset for a product temperature of approximately 55°F with a product temperature adjustability range of 40°F to 70°F. To change temperature controller settings see section “TEMPERATURE CONTROLLER ADJUSTMENTS” on page 42.

**IMPORTANT NOTE: THE LED DISPLAY IS READING ACTUAL AIR**

**TEMPERATURE NOT PRODUCT TEMPERATURE. UNDER THESE CONDITIONS, A 4°F AIR TEMPERATURE SWING IN THE WINE COOLER COMPARTMENT DOES NOT CHANGE THE ACTUAL PRODUCT TEMPERATURE. PRODUCT TEMPERATURE REMAINS AT A VERY STABLE TEMPERATURE.**

## **LIGHT SWITCH AND BULB**

Your Two-Door All-Wine Cooler model has two interior lights that are illuminated when each door is opened. The cabinet also comes standard with manual light switches located next to each light for displaying your products through a glass door. If manual light switch is left on for an extended period of time it may increase the cabinet temperature and in turn product temperature, especially in close proximity to the light at the top and cause the refrigeration system to run longer.

## **TWO DOOR MULTI-ZONE WINE COOLER OPERATION**

The Perlick Two Door Multi-Zone Wine Cooler (H2WW) comes equipped with a state of the art refrigeration system. The compressor is of a variable speed variety, which automatically changes speeds based on system conditions and load. The cabinet is equipped with two adjustable digital temperature controllers and LED displays. The low temperature wine zone controller located above the left door can be adjusted through a range of 40°F to 56°F. The low temperature wine zone controller has been factory set to modulate from 53°F to 57°F. The high temperature wine zone controller

located above the right door can be adjusted through a range of 52°F to 65°F. The high temperature wine zone controller has been factory set to modulate from 64°F to 66°F. To properly determine product temperature see “CHECKING PRODUCT TEMPERATURE” on page 44.

**IMPORTANT NOTE: ALWAYS ALLOW CABINET TO RUN FOR A MINIMUM OF 24 HOURS TO ALLOW TEMPERATURE STABILIZATION AFTER START-UP BEFORE STORING PERISHABLE ITEMS.**

This cabinet is a frost-free model meaning the evaporator (cooling coil) automatically defrosts during off cycles. The controller also has a manual defrost soft button on the front panel signified by a melting snowflake, which has been disabled on this model.

## **PROPER PRODUCT STORAGE**

The low temperature wine zone will accommodate 42 bottles of wine. The high temperature wine zone will accommodate 48 bottles of wine. Specially designed full extension wine racks allow for proper horizontal storage of the wine. The cork remains moist, which keeps air from entering the bottle. Do not block internal louvers or fan guard openings, as this will decrease operating performance.

## **CONTROL SETTINGS**

The cabinet is shipped with the controllers turned ON. To turn the refrigeration system OFF or ON press the blue soft button on the front face of the low temperature wine zone controller (if the controller is turned off

with power applied to the cabinet the LED display will read OFF, when turned on it will read a temperature). The low temperature wine zone controller is located on the top front face of the cabinet above the left door and is equipped with a tinted see-through lens which opens by pulling out on the bottom of the lens and rotating upwards. Always ensure lens cover is closed before closing door to avoid damage to the controller or lens. The warm temperature wine zone controller appears identical except it controls this zones cooling system and is located above the right door.

The low temperature wine zone electronic control comes preset for a product temperature of approximately 55°F with a product temperature adjustability range of 40°F to 56°F. The warm temperature wine zone electronic control comes preset for a product temperature of approximately 65°F with a product temperature adjustability range of 54°F to 68°F. To change temperature controller settings see section “TEMPERATURE CONTROLLER ADJUSTMENTS” on page 42.

**IMPORTANT NOTE: THE LED DISPLAY IS READING ACTUAL AIR TEMPERATURE NOT PRODUCT TEMPERATURE. UNDER THESE CONDITIONS, A 4°F AIR TEMPERATURE SWING IN THE WINE COOLER COMPARTMENT DOES NOT CHANGE THE ACTUAL PRODUCT TEMPERATURE. PRODUCT TEMPERATURE REMAINS AT A VERY STABLE TEMPERATURE.**

## **LIGHT SWITCH AND BULB**

Your Two Door Multi-Zone Wine Cooler has two interior lights that are illuminated when each respective door is opened. The cabinet also comes standard with manual light switches located next to each light for displaying your products through a glass door. If manual light switch is left on for an extended period of time it may increase the cabinet temperature and in turn product temperature, especially in close proximity to the light at the top and cause the refrigeration system to run longer.

## **TWO DOOR REFRIGERATOR / WINE COOLER OPERATION**

The Perlick Two Door Refrigerator/ Wine Cooler (H2RW) comes equipped with a state of the art refrigeration system. The compressor is of a variable speed variety, which automatically changes speeds based on system conditions and load. The cabinet is equipped with two adjustable digital temperature controllers and LED displays. The refrigerator zone controller located above the left door can be adjusted through a range of 33°F to 43°F. The refrigerator zone controller has been factory set to modulate from 34°F to 40°F. The wine cooler zone controller located above the right door can be adjusted through a range of 50°F to 60°F. The wine cooler zone controller has been factory set to modulate from 54°F to 56°F. To properly determine product temperature see “CHECKING PRODUCT TEMPERATURE” on page 44.

**IMPORTANT NOTE: ALWAYS ALLOW CABINET TO RUN FOR A MINIMUM OF 24 HOURS TO ALLOW TEMPERATURE STABILIZATION AFTER START-UP BEFORE STORING PERISHABLE ITEMS.**

This cabinet is a frost-free model meaning the evaporator (cooling coil) automatically defrosts during off cycles. The controller also has a manual defrost soft button on the front panel signified by a melting snowflake, which has been disabled on this model.

**PROPER PRODUCT STORAGE**

The refrigerator can be filled as desired. The wine cooler zone will accommodate 48 bottles of wine. Specially designed full extension wine racks allow for proper horizontal storage of the wine. The cork remains moist, which keeps air from entering the bottle. Do not block internal louvers or fan guard openings, as this will decrease operating performance.

**CONTROL SETTINGS**

The cabinet is shipped with the controllers turned ON. To turn the refrigeration system OFF or ON press the blue soft button on the front face of the low temperature wine zone controller (if the controller is turned off with power applied to the cabinet the LED display will read OFF, when turned on it will read a temperature). The low temperature wine zone controller is located on the top front face of the cabinet above the left door and is equipped with a tinted see-through lens which opens by pulling out on the bottom of the lens and rotating upwards. Always ensure lens cover is closed

before closing door to avoid damage to the controller or lens. The warm temperature wine zone controller appears identical except it controls this zones cooling system and is located above the right door.

The refrigerator zone electronic control comes preset for a product temperature of approximately 38°F with a product temperature adjustability range of 33°F to 43°F. The wine cooler zone electronic control comes preset for a product temperature of approximately 55°F with a product temperature adjustability range of 50°F to 60°F. To change temperature controller settings see section “TEMPERATURE CONTROLLER ADJUSTMENTS” on page 42.

**IMPORTANT NOTE: THE LED DISPLAY IS READING ACTUAL AIR TEMPERATURE NOT PRODUCT TEMPERATURE. UNDER THESE CONDITIONS, A 6°F OR 2°F AIR TEMPERATURE SWING IN THE REFRIGERATOR/ WINE COOLER COMPARTMENTS DOES NOT CHANGE THE ACTUAL PRODUCT TEMPERATURE. PRODUCT TEMPERATURE REMAINS AT A VERY STABLE TEMPERATURE.**

**LIGHT SWITCH AND BULB**

Your Two-Door Refrigerator/Wine Cooler has two interior lights that are illuminated when each respective door is opened. The cabinet also comes standard with manual light switches located next to each light for displaying your products through a glass door. If manual light switch is left on for an extended period of time it may increase the cabinet temperature and in turn

product temperature, especially in close proximity to the light at the top and cause the refrigeration system to run longer.

### **THREE DOOR FREEZER/REFRIGERATOR/ REFRIGERATOR OPERATION**

The Perlick Three Door Freezer/Refrigerator/Refrigerator (H3FRO) comes equipped with a state of the art refrigeration system. The compressor is of a variable speed variety, which automatically changes speeds based on system conditions and load. The cabinet is equipped with two adjustable digital temperature controllers and LED displays. The freezer controller can be adjusted through a range of -10°F to +10°F. The freezer controller has been factory set to modulate from -3°F to +5°F. The refrigerator controller can be adjusted through a range of 30°F to 42°F with an adjustable differential to optimize storage conditions. The refrigerator controller has been factory set to modulate from 37°F to 39°F. To properly determine product temperature see “CHECKING PRODUCT TEMPERATURE” on page 44.

### **IMPORTANT NOTE: ALWAYS ALLOW CABINET TO RUN FOR A MINIMUM OF 24 HOURS TO ALLOW TEMPERATURE STABILIZATION AFTER START-UP BEFORE STORING PERISHABLE ITEMS.**

This cabinet is a frost-free model meaning the evaporator (cooling coil) automatically defrosts on demand at predetermined intervals. The controller also has a manual defrost soft button on the front panel signified by a melting

snowflake. If depressed it will automatically put the system into a defrost cycle.

### **PROPER PRODUCT STORAGE**

Store product as desired. Do not block internal louvers or fan guard openings, as this will decrease operating performance.

### **CONTROL SETTINGS**

The cabinet is shipped with the controllers turned ON. To turn the refrigeration system OFF or ON press the blue soft button on the front face of the freezer controller (if the controller is turned off with power applied to the cabinet the LED display will read OFF, when turned on it will read a temperature). The freezer controller is located on the top front face of the cabinet above the left door and is equipped with a tinted see-through lens which opens by pulling out on the bottom of the lens and rotating upwards. Always ensure lens cover is closed before closing door to avoid damage to the controller or lens. The refrigerator control looks and responds identical to the freezer control with the exception that it only controls the cooling system for the refrigerator zone and is located above the center door.

The freezer electronic control comes preset for a product temperature of approximately 0°F with a product temperature adjustability range of -5°F to +5°F. The refrigerator electronic control comes preset for a product temperature of approximately 38°F with a product temperature adjustability range of 33°F to 42°F. To change temperature controller settings see

section "TEMPERATURE CONTROLLER ADJUSTMENTS" on page 42.

**IMPORTANT NOTE: THE LED DISPLAY IS READING ACTUAL AIR TEMPERATURE NOT PRODUCT TEMPERATURE. UNDER THESE CONDITIONS, AN 8°F AIR TEMPERATURE SWING IN THE FREEZER COMPARTMENT AND A 2°F AIR TEMPERATURE SWING IN THE REFRIGERATOR COMPARTMENT DOES NOT CHANGE THE ACTUAL PRODUCT TEMPERATURE. PRODUCT TEMPERATURE REMAINS AT A VERY STABLE TEMPERATURE.**

### **LIGHT SWITCH AND BULB**

Your Three-Door Freezer/Refrigerator/Refrigerator has three interior lights that are illuminated when each respective door is opened. The cabinet also comes standard with a manual light switches located next to each light for displaying your products through a glass door. If manual light switch is left on for an extended period of time it may increase the cabinet temperature, especially in close proximity to the light at the top and cause the refrigeration system to run longer.

### **THREE DOOR FREEZER/REFRIGERATOR/WINE COOLER OPERATION**

The Perlick Three Door Freezer/Refrigerator/Wine Cooler (H3FRW) comes equipped with a state of the art refrigeration system. The compressor is of a variable speed

variety, which automatically changes speeds based on system conditions and load. The cabinet is equipped with three adjustable digital temperature controllers and LED displays. The freezer controller can be adjusted through a range of -10°F to +10°F. The freezer controller has been factory set to modulate from -3°F to +5°F. The refrigerator controller can be adjusted through a range of 30°F to 42°F. The refrigerator controller has been factory set to modulate from 37°F to 39°F. The wine cooler controller can be adjusted through a range of 50°F to 60°F. The refrigerator controller has been factory set to modulate from 54°F to 56°F. To properly determine product temperature see "CHECKING PRODUCT TEMPERATURE" on page 44.

**IMPORTANT NOTE: ALWAYS ALLOW CABINET TO RUN FOR A MINIMUM OF 24 HOURS TO ALLOW TEMPERATURE STABILIZATION AFTER START-UP BEFORE STORING PERISHABLE ITEMS.**

This cabinet is a frost-free model meaning the evaporator (cooling coil) automatically defrosts on demand at predetermined intervals. The controller also has a manual defrost soft button on the front panel signified by a melting snowflake. If depressed it will automatically put the system into a defrost cycle.

### **PROPER PRODUCT STORAGE**

Store product as desired in the freezer and refrigerator. The wine cooler zone will accommodate 48 bottles of wine. Specially designed full extension wine racks allow for proper horizontal storage of the wine. The cork remains moist,

which keeps air from entering the bottle. Do not block internal louvers or fan guard openings, as this will decrease operating performance.

## CONTROL SETTINGS

The cabinet is shipped with the controllers turned ON. To turn the refrigeration system OFF or ON press the blue soft button on the front face of the freezer controller (if the controller is turned off with power applied to the cabinet the LED display will read OFF, when turned on it will read a temperature). The freezer controller is located on the top front face of the cabinet above the left door and is equipped with a tinted see-through lens which opens by pulling out on the bottom of the lens and rotating upwards. Always ensure lens cover is closed before closing door to avoid damage to the controller or lens. The refrigerator control looks and responds identical to the freezer control with the exception that it only controls the cooling system for the refrigerator zone and is located above the center door.

The freezer electronic control comes preset for a product temperature of approximately 0°F with a product temperature adjustability range of -5°F to +5°F. The refrigerator electronic control comes preset for a product temperature of approximately 38°F with a product temperature adjustability range of 33°F to 42°F. The wine cooler electronic control comes preset for a product temperature of approximately 55°F with a product temperature adjustability range of 50°F to 60°F. To change temperature controller settings see section “TEMPERATURE CONTROLLER ADJUSTMENTS” on

page 42.

**IMPORTANT NOTE: THE LED DISPLAY IS READING ACTUAL AIR TEMPERATURE NOT PRODUCT TEMPERATURE. UNDER THESE CONDITIONS, AN 8°F AIR TEMPERATURE SWING IN THE FREEZER COMPARTMENT AND A 2°F AIR TEMPERATURE SWING IN THE REFRIGERATOR OR WINE COOLER COMPARTMENT DOES NOT CHANGE THE ACTUAL PRODUCT TEMPERATURE. PRODUCT TEMPERATURE REMAINS AT A VERY STABLE TEMPERATURE.**

## LIGHT SWITCH AND BULB

Your Three-Door Freezer/Refrigerator/Wine Cooler has three interior lights that are illuminated when each respective door is opened. The cabinet also comes standard with a manual light switches located next to each light for displaying your products through a glass door. If manual light switch is left on for an extended period of time it may increase the cabinet temperature, especially in close proximity to the light at the top and cause the refrigeration system to run longer.

## THREE DOOR ALL-REFRIGERATOR OPERATION

The Perlick Three Door All-Refrigerator (H3ROO) comes equipped with a state of the art refrigeration system. The compressor is of a variable speed variety, which automatically changes speeds based on system conditions and load. The cabinet is equipped with an adjustable digital temperature controller and LED display. The controller can be

adjusted through a range of 30°F to 42°F. The refrigerator controller has been factory set to modulate from 34°F to 40°F. To properly determine product temperature see “CHECKING PRODUCT TEMPERATURE” on page 44.

**IMPORTANT NOTE: ALWAYS ALLOW CABINET TO RUN FOR A MINIMUM OF 24 HOURS TO ALLOW TEMPERATURE STABILIZATION AFTER START-UP BEFORE STORING PERISHABLE ITEMS.**

This cabinet is a frost-free model meaning the evaporator (cooling coil) automatically defrosts during off cycles. The controller also has a manual defrost soft button on the front panel signified by a melting snowflake, which has been disabled on this model.

### **PROPER PRODUCT STORAGE**

Store product as desired. Do not block internal louvers or fan guard openings, as this will decrease operating performance.

### **CONTROL SETTINGS**

The cabinet is shipped with the controller turned ON. To turn the refrigeration system OFF or ON press the blue soft button on the front face of the controller (if the controller is turned off with power applied to the cabinet the LED display will read OFF, when turned on it will read a temperature). The controller is located on the top front face of the cabinet above the left door and is equipped with a tinted see-through lens which opens by pulling out on the bottom of the lens and rotating upwards. Always ensure lens cover is closed

before closing door to avoid damage to the controller or lens.

The refrigerator electronic control comes preset for a product temperature of approximately 38°F with a product temperature adjustability range of 33°F to 45°F. To change temperature controller settings see section “TEMPERATURE CONTROLLER ADJUSTMENTS” on page 42.

**IMPORTANT NOTE: THE LED DISPLAY IS READING ACTUAL AIR TEMPERATURE NOT PRODUCT TEMPERATURE. UNDER THESE CONDITIONS, A 6°F AIR TEMPERATURE SWING IN THE REFRIGERATOR COMPARTMENT DOES NOT CHANGE THE ACTUAL PRODUCT TEMPERATURE. PRODUCT TEMPERATURE REMAINS AT A VERY STABLE TEMPERATURE.**

### **LIGHT SWITCH AND BULB**

Your Three-Door All-Refrigerator has three interior lights that are illuminated when the each respective door is opened. The cabinet also comes standard with manual light switches located next to each light for displaying your products through a glass door. If manual light switch is left on for an extended period of time it may increase the cabinet temperature, especially in close proximity to the light at the top and cause the refrigeration system to run longer.

### **THREE DOOR ALL-WINE COOLER OPERATION**

The Perlick Three Door All-Wine Cooler (H3WOO) comes equipped with a state of the art refrigeration system. The

compressor is of a variable speed variety, which automatically changes speeds based on system conditions and load. The cabinet is equipped with an adjustable digital temperature controller and LED display. The controller can be adjusted through a range of 40°F to 65°F. The wine cooler controller has been factory set to modulate from 53°F to 57°F. To properly determine product temperature see “CHECKING PRODUCT TEMPERATURE” on page 44.

**IMPORTANT NOTE: ALWAYS ALLOW CABINET TO RUN FOR A MINIMUM OF 24 HOURS TO ALLOW TEMPERATURE STABILIZATION AFTER START-UP BEFORE STORING PERISHABLE ITEMS.**

This cabinet is a frost-free model meaning the evaporator (cooling coil) automatically defrosts during off cycles. The controller also has a manual defrost soft button on the front panel signified by a melting snowflake, which has been disabled on this model.

**PROPER PRODUCT STORAGE**

This wine cooler will accommodate 138 bottles of wine. Specially designed full extension wine racks allow for proper horizontal storage of the wine. The cork remains moist, which keeps air from entering the bottle. Do not block internal louvers or fan guard openings, as this will decrease operating performance.

**CONTROL SETTINGS**

The cabinet is shipped with the controller turned ON. To turn the refrigeration system OFF or ON press the blue soft button on the front face of

the controller (if the controller is turned off with power applied to the cabinet the LED display will read OFF, when turned on it will read a temperature). The controller is located on the top front face of the cabinet above the left door and is equipped with a tinted see-through lens which opens by pulling out on the bottom of the lens and rotating upwards. Always ensure lens cover is closed before closing door to avoid damage to the controller or lens.

The wine cooler electronic control comes preset for a product temperature of approximately 55°F with a product temperature adjustability range of 42°F to 68°F. To change temperature controller settings see section “TEMPERATURE CONTROLLER ADJUSTMENTS” on page 42.

**IMPORTANT NOTE: THE LED DISPLAY IS READING ACTUAL AIR TEMPERATURE NOT PRODUCT TEMPERATURE. UNDER THESE CONDITIONS, A 4°F AIR TEMPERATURE SWING IN THE WINE COOLER COMPARTMENT DOES NOT CHANGE THE ACTUAL PRODUCT TEMPERATURE. PRODUCT TEMPERATURE REMAINS AT A VERY STABLE TEMPERATURE.**

**LIGHT SWITCH AND BULB**

Your Three-Door All-Wine Cooler has three interior lights that are illuminated when each respective door is opened. The cabinet also comes standard with manual light switches located next to each light for displaying your products through a glass door. If manual light switch is left on for an extended period of time it may increase the cabinet temperature and in turn product

temperature, especially in close proximity to the light at the top and cause the refrigeration system to run longer.

### **THREE DOOR THREE-ZONE WINE COOLER OPERATION**

The Perlick Three Door Multi-Zone Wine Cooler (H3WWW) comes equipped with a state of the art refrigeration system. The compressor is of a variable speed variety, which automatically changes speeds based on system conditions and load. The cabinet is equipped with three adjustable digital temperature controllers and LED displays. The low temperature wine zone controller located above the left door can be adjusted through a range of 40°F to 46°F. The low temperature wine zone controller has been factory set to modulate from 43°F to 47°F. The medium temperature wine zone controller located above the center door can be adjusted through a range of 48°F to 58°F. The medium temperature wine zone controller has been factory set to modulate from 54°F to 56°F. The high temperature wine zone controller located above the right door can be adjusted through a range of 58°F to 65°F. The high temperature wine zone controller has been factory set to modulate from 64°F to 66°F. To properly determine product temperature see “CHECKING PRODUCT TEMPERATURE” on page 44.

**IMPORTANT NOTE: ALWAYS ALLOW CABINET TO RUN FOR A MINIMUM OF 24 HOURS TO ALLOW TEMPERATURE STABILIZATION AFTER START-UP BEFORE STORING PERISHABLE ITEMS.**

This cabinet is a frost-free model meaning the evaporator (cooling coil) automatically defrosts during off cycles. The controller also has a manual defrost soft button on the front panel signified by a melting snowflake, which has been disabled on this model.

### **PROPER PRODUCT STORAGE**

This low temperature wine zone will accommodate 42 bottles of wine. The medium temperature wine zone will accommodate 48 bottles of wine. The high temperature wine zone will accommodate 48 bottles of wine. Specially designed full extension wine racks allow for proper horizontal storage of the wine. The cork remains moist, which keeps air from entering the bottle. Do not block internal louvers or fan guard openings, as this will decrease operating performance.

### **CONTROL SETTINGS**

The cabinet is shipped with the controllers turned ON. To turn the refrigeration system OFF or ON press the blue soft button on the front face of the low temperature wine zone controller (if the controller is turned off with power applied to the cabinet the LED display will read OFF, when turned on it will read a temperature). The low temperature wine zone controller is located on the top front face of the cabinet above the left door and is equipped with a tinted see-through lens which opens by pulling out on the bottom of the lens and rotating upwards. Always ensure lens cover is closed before closing door to avoid damage to the controller or lens. The medium temperature wine zone controller appears identical except it controls this

zones cooling system and is located above the center door. The warm temperature wine zone controller appears identical except it controls this zones cooling system and is located above the right door.

The low temperature wine zone electronic control comes preset for a product temperature of approximately 45°F with a product temperature adjustability range of 44°F to 48°F. The medium temperature wine zone electronic control comes preset for a product temperature of approximately 55°F with a product temperature adjustability range of 49°F to 56°F. The high temperature wine zone electronic control comes preset for a product temperature of approximately 65°F with a product temperature adjustability range of 59°F to 66°F. To change temperature controller settings see section “TEMPERATURE CONTROLLER ADJUSTMENTS” on page 42.

**IMPORTANT NOTE: THE LED DISPLAY IS READING ACTUAL AIR TEMPERATURE NOT PRODUCT TEMPERATURE. UNDER THESE CONDITIONS, A 4°F OR 2°F AIR TEMPERATURE SWING IN THE WINE COOLER COMPARTMENT DOES NOT CHANGE THE ACTUAL PRODUCT TEMPERATURE. PRODUCT TEMPERATURE REMAINS AT A VERY STABLE TEMPERATURE.**

### **LIGHT SWITCH AND BULB**

Your Three Door Multi-Zone Wine Cooler has three interior lights that are illuminated when each respective door is opened. The cabinet also comes standard with manual light switches

located next to each light for displaying your products through a glass door. If manual light switch is left on for an extended period of time it may increase the cabinet temperature and in turn product temperature, especially in close proximity to the light at the top and cause the refrigeration system to run longer.

### **THREE DOOR TWO-ZONE WINE COOLER OPERATION**

The Perlick Three Door Two-Zone Wine Cooler (H3WOW or H3WWO) comes equipped with a state of the art refrigeration system. The compressor is of a variable speed variety, which automatically changes speeds based on system conditions and load. The cabinet is equipped with two adjustable digital temperature controllers and LED displays. The low temperature wine zone controller located above the left door can be adjusted through a range of 42°F to 53°F. The low temperature wine zone controller has been factory set to modulate from 53°F to 57°F. The high temperature wine zone controller located above the center or right door, dependent on the model, can be adjusted through a range of 52°F to 65°F. The high temperature wine zone controller has been factory set to modulate from 64°F to 66°F. To properly determine product temperature see “CHECKING PRODUCT TEMPERATURE” on page 44.

**IMPORTANT NOTE: ALWAYS ALLOW CABINET TO RUN FOR A MINIMUM OF 24 HOURS TO ALLOW TEMPERATURE STABILIZATION AFTER START-UP BEFORE STORING PERISHABLE ITEMS.**

This cabinet is a frost-free model meaning the evaporator (cooling coil) automatically defrosts during off cycles. The controller also has a manual defrost soft button on the front panel signified by a melting snowflake, which has been disabled on this model.

## **PROPER PRODUCT STORAGE**

The low temperature wine zone will accommodate 42 to 90 bottles of wine dependent on the model. The high temperature wine zone will accommodate 48 to 96 bottles of wine dependent on the model. Specially designed full extension wine racks allow for proper horizontal storage of the wine. The cork remains moist, which keeps air from entering the bottle. Do not block internal louvers or fan guard openings, as this will decrease operating performance.

## **CONTROL SETTINGS**

The cabinet is shipped with the controllers turned ON. To turn the refrigeration system OFF or ON press the blue soft button on the front face of the low temperature wine zone controller (if the controller is turned off with power applied to the cabinet the LED display will read OFF, when turned on it will read a temperature). The low temperature wine zone controller is located on the top front face of the cabinet above the left door and is equipped with a tinted see-through lens which opens by pulling out on the bottom of the lens and rotating upwards. Always ensure lens cover is closed before closing door to avoid damage to the controller or lens. The high temperature wine zone controller appears identical except it controls this

zones cooling system and is located above the center or right door, dependent on the model.

The low temperature wine zone electronic control comes preset for a product temperature of approximately 55°F with a product temperature adjustability range of 44°F to 56°F. The high temperature wine zone electronic control comes preset for a product temperature of approximately 65°F with a product temperature adjustability range of 52°F to 68°F. To change temperature controller settings see section “TEMPERATURE CONTROLLER ADJUSTMENTS” page 42.

**IMPORTANT NOTE: THE LED DISPLAY IS READING ACTUAL AIR TEMPERATURE NOT PRODUCT TEMPERATURE. UNDER THESE CONDITIONS, A 4°F OR 2°F AIR TEMPERATURE SWING IN THE WINE COOLER COMPARTMENT DOES NOT CHANGE THE ACTUAL PRODUCT TEMPERATURE. PRODUCT TEMPERATURE REMAINS AT A VERY STABLE TEMPERATURE.**

## **LIGHT SWITCH AND BULB**

Your Three Door Two-Zone Wine Cooler has three interior lights that are illuminated when each respective door is opened. The cabinet also comes standard with manual light switches located next to each light for displaying your products through a glass door. If manual light switch is left on for an extended period of time it may increase the cabinet temperature and in turn product temperature, especially in close proximity to the light at the top and cause the refrigeration system to run

longer.

## **THREE DOOR REFRIGERATOR/ WINE COOLER/WINE COOLER OPERATION**

The Perlick Three Door Refrigerator/Wine Cooler/Wine Cooler (H3RWW) comes equipped with a state of the art refrigeration system. The compressor is of a variable speed variety, which automatically changes speeds based on system conditions and load. The cabinet is equipped with three adjustable digital temperature controllers and LED displays. The refrigerator controller can be adjusted through a range of 30°F to 42°F. The refrigerator controller has been factory set to modulate from 34°F to 40°F. The low temperature wine cooler controller can be adjusted through a range of 45°F to 56°F. The low temperature wine cooler zone controller has been factory set to modulate from 54°F to 56°F. The high temperature wine cooler controller can be adjusted through a range of 55°F to 68°F. The high temperature wine cooler zone controller has been factory set to modulate from 64°F to 66°F. To properly determine product temperature see "CHECKING PRODUCT TEMPERATURE" on page 44.

### **IMPORTANT NOTE: ALWAYS ALLOW CABINET TO RUN FOR A MINIMUM OF 24 HOURS TO ALLOW TEMPERATURE STABILIZATION AFTER START-UP BEFORE STORING PERISHABLE ITEMS.**

This cabinet is a frost-free model meaning the evaporator (cooling coil) automatically defrosts on demand at predetermined intervals. The controller

also has a manual defrost soft button on the front panel signified by a melting snowflake. If depressed it will automatically put the system into a defrost cycle.

## **PROPER PRODUCT STORAGE**

Store product as desired in the refrigerator. The low temperature wine cooler zone will accommodate 48 bottles of wine. The high temperature wine cooler zone will accommodate 48 bottles of wine. Specially designed full extension wine racks allow for proper horizontal storage of the wine. The cork remains moist, which keeps air from entering the bottle. Do not block internal louvers or fan guard openings, as this will decrease operating performance.

## **CONTROL SETTINGS**

The cabinet is shipped with the controllers turned ON. To turn the refrigeration system OFF or ON press the blue soft button on the front face of the freezer controller (if the controller is turned off with power applied to the cabinet the LED display will read OFF, when turned on it will read a temperature). The freezer controller is located on the top front face of the cabinet above the left door and is equipped with a tinted see-through lens which opens by pulling out on the bottom of the lens and rotating upwards. Always ensure lens cover is closed before closing door to avoid damage to the controller or lens. The refrigerator control looks and responds identical to the freezer control with the exception that it only controls the cooling system for the refrigerator zone and is located above the center door.

The refrigerator electronic control comes preset for a product temperature of approximately 38°F with a product temperature adjustability range of 33°F to 42°F. The low temperature wine cooler electronic control comes preset for a product temperature of approximately 55°F with a product temperature adjustability range of 45°F to 56°F. The high temperature wine cooler electronic control comes preset for a product temperature of approximately 65°F with a product temperature adjustability range of 55°F to 68°F. To change temperature controller settings see section "TEMPERATURE CONTROLLER ADJUSTMENTS" on page 42.

**IMPORTANT NOTE: THE LED DISPLAY IS READING ACTUAL AIR TEMPERATURE NOT PRODUCT TEMPERATURE. UNDER THESE CONDITIONS, A 4°F AIR TEMPERATURE SWING IN THE REFRIGERATOR COMPARTMENT AND A 2°F AIR TEMPERATURE SWING IN THE WINE COOLER COMPARTMENT DOES NOT CHANGE THE ACTUAL PRODUCT TEMPERATURE. PRODUCT TEMPERATURE REMAINS AT A VERY STABLE TEMPERATURE.**

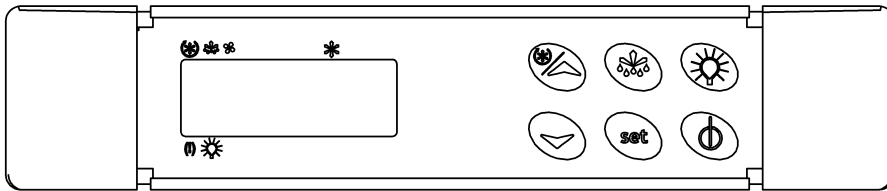
## **LIGHT SWITCH AND BULB**

Your Three-Door Refrigerator/Wine Cooler/Wine Cooler has three interior lights that are illuminated when each respective door is opened. The cabinet also comes standard with a manual light switches located next to each light for displaying your products through a glass door. If manual light switch is left on for an extended period of time it may increase the cabinet temperature, especially in close proximity to the light at the top and cause the refrigeration system to run longer.

# TEMPERATURE CONTROLLER

Front cover removed for clarity

63738  
63699



## Primary Key Functions



Turns on/off the power to the unit



Disabled



Manually defrosts the unit by holding button down



Displays minimum stored temperature, also used for navigating control codes and changing displayed values within the various menu options



Displays maximum stored temperature, also used for navigating control codes and changing displayed values within the various menu options. Fast freezing cycle is started by holding button down for 3 seconds



Displays and allows for modification of target set point. Used to select a parameter or confirm an operation in programming mode. If held for 3 seconds while max or min temperature is displayed, it will erase that temperature from memory.

## L.E.D. Alerts

SYMBOL	STATUS	ALERT DEFINITION
	ON	The compressor is running
	FLASHING	Anti-short cycle delay enabled. (Programming phase when flashing with
	FLASHING	See above in parenthesis ( ).
	ON	The defrost is enabled
	FLASHING	Drip time in progress
	ON	The fast-freezing cycle is enabled
	ON	Alarm signal: Contact Service Representative immediately
	ON	The light is on

## **TEMPERATURE CONTROLLER ADJUSTMENTS**

### **POWER**

Each digital temperature controller and LED display comes equipped with a soft power button, which turns the respective cooling system ON or OFF. If when power is applied to the cabinet and the display reads OFF simply press the blue soft button once to turn the cooling system ON. When the controller is ON it will display the current temperature reading.

### **DEFROST**

Controllers controlling a freezer section are programmed with an automatic defrosting cycle for the evaporator coil (cooling coil). During this cycle the display will read DEF. Once the defrost cycle is complete it will return to a temperature reading in the display. These controllers are also equipped with a soft defrost button on the front of the controller panel which is signified by a melting snowflake. If depressed on a freezer section it will automatically put the system into a defrost cycle. Upon completion of the cycle the controller will return to normal cooling mode. Although this button is enabled, it should not be necessary to use for additional defrost cycles. Models which do not require a programmed defrost cycle, refrigerators and wine coolers, this button has been disabled.

### **LIGHT**

All controllers are equipped with a soft light button on the front of the controller panel. This button has been disabled and will not turn on the light in the cabinet. The lights have a manual switch located near each light, which can manually turn on the light for displaying product behind glass doors. The light is also equipped with a door switch that turns on the light upon a door opening. Leaving the light on for extended periods of time may increase the cabinet temperature and in turn product temperature, especially in close proximity to the light at the top and cause the refrigeration system to run longer.

### **ADJUSTING THE SET-POINT**

The set point is the temperature at which when obtained will cause the controller to turn off the cooling system. To adjust the set point simply press the soft 'SET' button located on the front of the controller panel. Upon pressing, the current set point will be displayed. Press the 'UP' or 'DOWN' arrow buttons located on the front of the controller panel to the new desired set point. The controller will now memorize this new set point.

**IMPORTANT NOTE:** Dependent on the model and configuration, the controllers have been programmed to only allow a temperature adjustment within a specified range (see chart below for the specified range allowed for your cabinet).

## CHART 1. PRODUCT TEMPERATURE SET POINTS AND RANGES.

MODELS		Approximate Product Temperatures	
H1F		0°F	Range: -5°F to +5°F
H1R		38°F	Range: 33°F to 43°F
H1W		55°F	Range: 44°F to 68°F
H2FR	Freezer Section	0°F	Range: -5°F to +5°F
	Refrigerator Section	38°F	Range: 33°F to 43°F
H2RO		38°F	Range: 33°F to 43°F
H2WO		55°F	Range: 44°F to 68°F
H2RW	Refrigerator Section	38°F	Range: 33°F to 43°F
	Wine Cooler Section	55°F	Range: 50°F to 60°F
H2WW	Wine Cooler Section 1	55°F	Range: 44°F to 56°F
	Wine Cooler Section 2	65°F	Range: 54°F to 68°F
H3FRO	Freezer Section	0°F	Range: -5°F to +5°F
	Refrigerator Section	38°F	Range: 33°F to 43°F
H3FRW	Freezer Section	0°F	Range: -5°F to +5°F
	Refrigerator Section	38°F	Range: 36°F to 42°F
	Wine Cooler Section	55°F	Range: 50°F to 60°F
H3ROO		38°F	Range: 33°F to 43°F
H3WOO		55°F	Range: 44°F to 68°F
H3ROW	Refrigerator Section	38°F	Range: 33°F to 43°F
	Wine Cooler Section	55°F	Range: 50°F to 65°F
H3RWO	Refrigerator Section	38°F	Range: 33°F to 43°F
	Wine Cooler Section	55°F	Range: 50°F to 65°F
H3RWW	Refrigerator Section	38°F	Range: 33°F to 43°F
	Wine Cooler Section 1	55°F	Range: 45°F to 56°F
	Wine Cooler Section 2	65°F	Range: 55°F to 68°F
H3WOW	Wine Cooler Section 1	55°F	Range: 44°F to 56°F
	Wine Cooler Section 2	65°F	Range: 54°F to 68°F
H3WWO	Wine Cooler Section 1	55°F	Range: 44°F to 56°F
	Wine Cooler Section 2	65°F	Range: 54°F to 68°F

H3WWW	Wine Cooler Section 1	45°F	Range: 44°F to 48°F
	Wine Cooler Section 2	55°F	Range: 50°F to 58°F
	Wine Cooler Section 3	65°F	Range: 60°F to 68°F

## CHECKING PRODUCT TEMPERATURE

To accurately check the temperature of the product stored in a refrigerated compartment, insert an accurate thermometer into a plastic (non-breakable) bottle, partially filled with water. Tighten the bottle cap securely.

Place the bottle in the desired area for 24 hours. Refrain from opening the unit during the testing period. After 24 hours, check the temperature of the water. Adjust the control settings if necessary and re-test.

Your Perlick refrigerated cabinets are pre-set in order to achieve the recommended temperature range when installed in a 70°F ambient room temperature. Factors, which affect the internal temperatures of the refrigerated cabinet, include:

- ◆ Temperature setting.
- ◆ Room temperature where installed.
- ◆ Number of times the door is opened and closed.
- ◆ Length of time the door is left open.
- ◆ Adjacent compartment temperatures.
- ◆ Style of door installed.
- ◆ Door gasket sealing and condition.
- ◆ Amount of time the internal light is illuminated.
- ◆ Installation in direct sun light or near a heat source.

## MAINTENANCE

### CLEANING

To clean stainless steel exterior or interior surfaces, use a soft, non-abrasive stainless steel cleaner to wipe down these surfaces. If you have difficulty finding a good cleaner, try Signature Polish from Signature Limited Laboratory, P.O. Box 13436, Dayton, Ohio 45413-0436; or call toll free at 877/376-5474.

Glass door panels can be cleaned using any standard glass cleaner available on the market today.

To clean interior and exterior non-metallic surfaces and removable parts, wash with a mild solution of soap and lukewarm water with a little baking soda. Rinse and dry thoroughly. Avoid getting water on lights, controllers, fan motors, and unfinished wood wine rack faces.

### CAUTION

**DO NOT USE ABRASIVE CLEANERS OR CLOTHS ON ANY OF THE INTERIOR OR EXTERIOR SURFACES OR REMOVABLE PARTS.**

### CONDENSER CLEANING

#### WARNING

**FOR CLEANING THE CONDENSER AND OTHER ROUTINE MAINTENANCE, SHUT OFF ELECTRICITY TO THE UNIT.**

In all instances, you should clean the condenser area every three months. The condenser is located behind the louvered toe plate. To clean the condenser remove the toe plate and use a soft bristle brush and vacuum to remove dust and lint. Avoid damaging or crushing the condenser fins or tubing. Upon completion, re-install the louvered toe plate.

**CAUTION**  
**FAILURE TO CLEAN THE**  
**CONDENSER COULD RESULT IN**

## **TROUBLESHOOTING**

### **BEFORE CALLING FOR** **SERVICE**

If the unit appears to be malfunctioning, read through NORMAL OPERATION

**TEMPERATURE LOSS OR**  
**MECHANICAL FAILURE OR**  
**DAMAGES. CLEAN THIS AREA**  
**EVERY THREE MONTHS.**

## **LIGHT BULB REPLACEMENT**

To replace a defective or burnt out light bulb, simply remove the glass lens by pulling down, unscrew the bulb counterclockwise and replace with an identical 25-Watt bulb or smaller. Perlick Replacement Bulb Part Number 63716-1.

first. If the problem persists, check the TROUBLESHOOTING GUIDE. Locate the problem in the guide and refer to the cause and its remedy before calling for service. The problem could be something, which can be solved without a service call.

## **GENERAL TROUBLESHOOTING**

### **DANGER**

#### **ELECTROCUTION HAZARD!!**

**NEVER ATTEMPT TO REPAIR OR PERFORM MAINTENANCE ON THE UNIT UNTIL THE MAIN ELECTRICAL POWER HAS BEEN DISCONNECTED.**

#### **No interior light**

- Is the bulb loose?
- Is the bulb burned out?

#### **Light stays on when door is closed**

- Manual ON/OFF light switch is turned ON.
- Is the door switch making contact with the door?

#### **Noise during operation**

- Certain sounds are normal. Soft sounds from the compressor, fan motor and valves will be heard.
- During freezer defrost crackling is normal.

#### **Controller display is flashing “P1”**

- There is a thermostat probe failure.

#### **Controller display is flashing “P2”**

- There is an evaporator probe failure.

#### **Controller display is flashing “HA”**

- The internal compartment temperature has exceeded the high temperature alarm preset value for over 30 minutes.
- Check to ensure door is closed.
- Check for door gasket seal.
- Did you just install warm product?
- Is the condenser clean?
- Is the louvered toe plate obstructed?
- Has the surrounding ambient temperature changed dramatically?
- Is the interior light ON?

#### **Controller display is flashing “LA”**

- The internal compartment temperature has exceeded the low temperature alarm preset value for over 30 minutes.
- Check to ensure door is closed.
- Check for door gasket seal.
- Has the surrounding ambient temperature changed dramatically?

**Controller display is flashing “EE”**

- The controller has a data or memory failure

**The refrigerated cabinet isn't running**

- Is there electrical power to the unit?
- Is your home circuit breaker or fuse on?
- Is your ON/OFF key pad on?
- Is your condenser area clean?

**The refrigerated compartment is warmer than usual**

- Is your control set properly?
- Is the light staying on?
- Is your condenser area clean and free of obstructions?
- Has the door been open for a long time or more frequent door openings occurred?
- Are the internal louvers and fan guard openings obstructed?
- Has warm product just been placed in the cabinet?

**The refrigerated compartment is colder than usual**

- Is your control set properly?
- Is your door closing and sealing properly?
- Is the ambient temperature within the normal operating range?

**The refrigeration system runs for long periods of time**

- Is the condenser area clean and free of obstructions?
- Have the doors been open for a long time or more frequent door openings occurred?
- Have warm product just been placed in the cabinet?
- On hot days and in warm room temperatures the system will run long.

**Condensation forms inside the refrigerated compartments**

- This is normal during high humidity and frequent door openings.
- Are the doors closing and sealing properly?

**Condensation forms on the outside of the unit**

- During periods of high humidity some condensation might appear on outside surfaces. The condensation will disappear when the humidity drops. Meanwhile, be sure doors are closing and sealing properly. If condensation persists, contact your Perlick Factory Authorized Service Center.

**You need product information**

- Contact your selling dealer
- Inquire via the WEB at [www.bringperlickhome.com](http://www.bringperlickhome.com)
- Call 800/558-5592 for factory assistance for information for planning, installation or product information.
- Write to: Perlick Corporation, Customer Service Department, 8300 W. Good Hope Rd, Milwaukee, WI 53223
- or e-mail us at [customerservice@perlick.com](mailto:customerservice@perlick.com).

**You need product service**

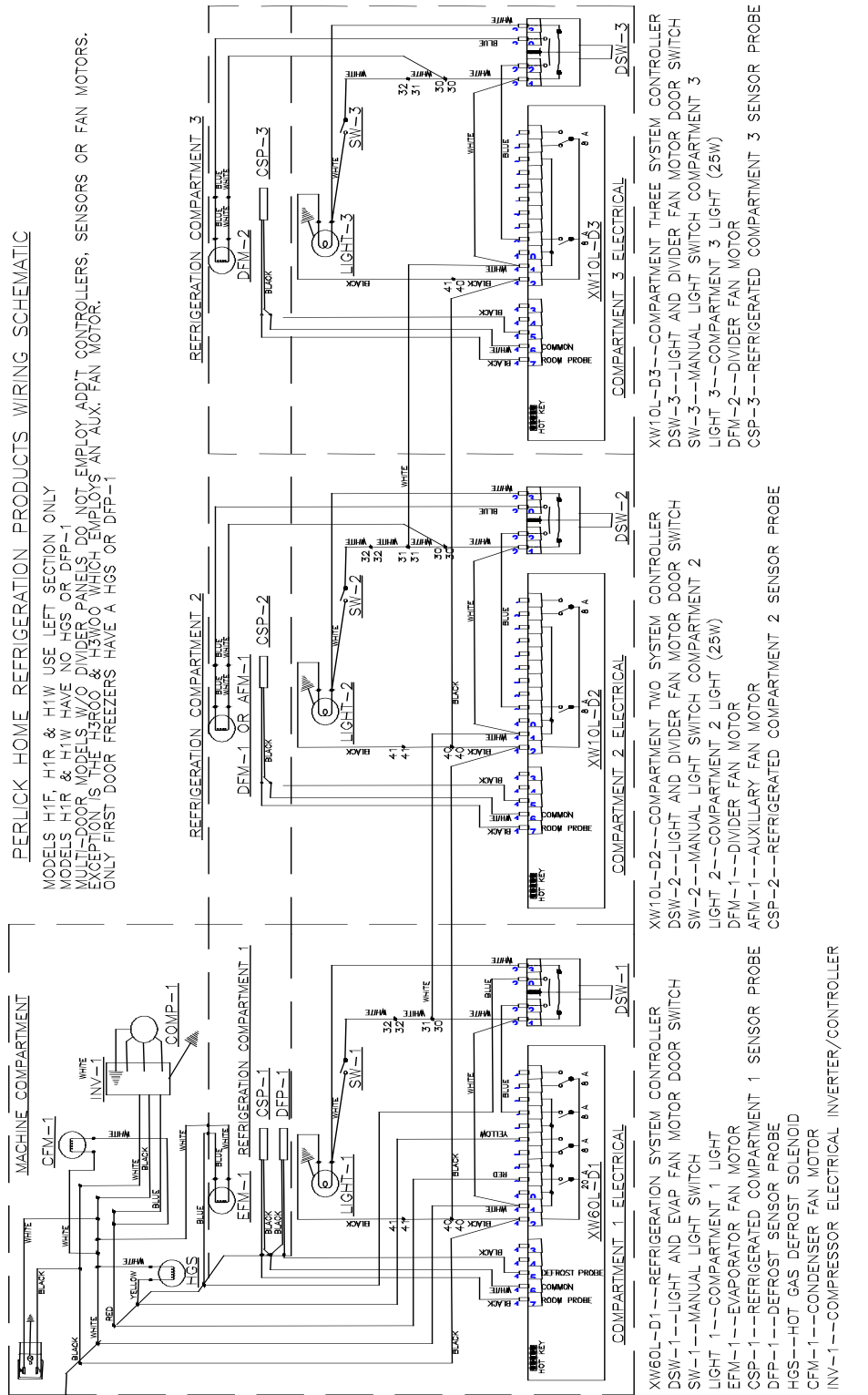
- Check the model and serial number of your unit located on the label attached to the inside top of the cabinet. Then call your Perlick Factory Authorized Service Center. For the location of the Service Center in your area, contact your dealer, inquire via the WEB at [www.bringperlickhome.com](http://www.bringperlickhome.com), or write to: Perlick Corporation, Customer Service Department, 8300 W. Good Hope Rd, Milwaukee, WI 53223, call 800/558-5592 or e-mail us at [customerservice@perlick.com](mailto:customerservice@perlick.com).

**You need replacement parts or accessories**

- Use only genuine Perlick replacement parts and accessories. Genuine Perlick parts and accessories are designed to work correctly with Perlick products and offer superior service life. The use of non-Perlick parts can damage the unit and may void the warranty
- Check the model and serial number of your unit located on the label attached to the inside top of the cabinet. Then call your Perlick Factory Authorized Service Center. For the location of the Service Center in your area, contact your dealer, inquire via the WEB at [www.bringperlickhome.com](http://www.bringperlickhome.com), or write to: Perlick Corporation, Customer Service Department, 8300 W. Good Hope Rd, Milwaukee, WI 53223, call 800/558-5592 or e-mail us at [customerservice@perlick.com](mailto:customerservice@perlick.com).

PERLICK HOME REFRIGERATION PRODUCTS WIRING SCHEMATIC

MODELS H1F, H1R & H1W USE LEFT SECTION ONLY  
 MODELS H1R & H1W HAVE NO HGS OR DFP-1  
 MULTI-DOOR MODELS W/O DIVIDER PANELS DO NOT EMPLOY ADDT CONTROLLERS, SENSORS OR FAN MOTORS.  
 EXCEPTION IS THE H3R00 & H3W00 WHICH EMPLOY AN AUX. FAN MOTOR.  
 ONLY FIRST DOOR FREEZERS HAVE A HGS OR DFP-1



XW10L-D3--COMPARTMENT THREE SYSTEM CONTROLLER  
 DSW-3--LIGHT AND DIVIDER FAN MOTOR DOOR SWITCH  
 SW-3--MANUAL LIGHT SWITCH COMPARTMENT 3  
 LIGHT 3--COMPARTMENT 3 LIGHT (25W)  
 DFM-2--DIVIDER FAN MOTOR  
 CSP-3--REFRIGERATED COMPARTMENT 3 SENSOR PROBE

XW10L-D2--COMPARTMENT TWO SYSTEM CONTROLLER  
 DSW-2--LIGHT AND DIVIDER FAN MOTOR DOOR SWITCH  
 SW-2--MANUAL LIGHT SWITCH COMPARTMENT 2  
 LIGHT 2--COMPARTMENT 2 LIGHT (25W)  
 DFM-1--DIVIDER FAN MOTOR  
 AFM-1--AUXILIARY FAN MOTOR  
 CSP-2--REFRIGERATED COMPARTMENT 2 SENSOR PROBE

XW160L-D1--REFRIGERATION SYSTEM CONTROLLER  
 DSW-1--LIGHT AND EVAP FAN MOTOR DOOR SWITCH  
 SW-1--MANUAL LIGHT SWITCH  
 LIGHT 1--COMPARTMENT 1 LIGHT  
 EFM-1--EVAPORATOR FAN MOTOR  
 CSP-1--REFRIGERATED COMPARTMENT 1 SENSOR PROBE  
 DFP-1--DEFROST SENSOR PROBE  
 HGS--HOT GAS DEFROST SOLENOID  
 CFM-1--COMPRESSOR FAN MOTOR  
 INV-1--COMPRESSOR ELECTRICAL INVERTER/CONTROLLER

## **PERLICK HOME REFRIGERATION PRODUCTS LIMITED WARRANTY**

### **ENTIRE PRODUCT-** Full Two Year Warranty:

**For two years from the date of original installation, Perlick Corporation's warranty covers all parts and labor to repair or replace any part of the product, which proves to be defective in material and workmanship.**

### **ADDITIONAL-** Third Through Sixth Year Limited Parts Only Warranty:

**During the four years following expiration of the Two Year Limited Warranty, Perlick will supply replacement parts only for the hermetically sealed refrigeration system which consist of the compressor, condenser, drier, connecting tubing, evaporator, and hot gas bypass valve.**

### **TERMS:**

The Perlick Warranty applies to products installed in the fifty United States, the District of Columbia or the ten provinces of Canada.

All service provided by Perlick Corporation under the above warranty must be performed by authorized Perlick service representatives, unless otherwise specified by Perlick.

Service will be provided in the home during normal business hours.

This warranty applies only to products installed for normal residential use, it does not include adjusting the controls, door reversal, light bulb or cleaning the condenser.

This warranty is extended only to the original purchaser of the Perlick product.

The above warranty does not apply if:

- Failure of product was due to transportation
- Product was: improperly installed, misused, abused, operating with low voltage, wiring not conforming electrical codes, improperly maintained or modified.
- The original Bill of Sale, delivery date or serial number cannot be verified.
- Defective parts are not returned for inspection if so required by the Perlick Corporation.

To receive parts and or service and the name of the nearest Perlick authorized service representative, contact your Perlick dealer, distributor or Perlick Corporation's Customer Service Department; 8300 West Good Hope Road, Milwaukee Wisconsin, 53223; call 800 777-7267,

E-mail us at [customerserv@perlick.com](mailto:customerserv@perlick.com) , or visit our web: [www.bringperlickhome.com](http://www.bringperlickhome.com)

This limited warranty is in lieu of any other warranty, expressed or implied, including, but not limited to any implied warranty of merchantability or fitness for a particular purpose; provided however, that to the extent required by law, implied warranties are included but do not extend beyond the duration of the express warranty first set above. Perlick's sole liability and your exclusive remedy under this warranty are set forth in the initial paragraph above. Perlick Corporation shall have no liability whatsoever for any incidental, consequential or special damages arising from the sale, use or installation of the product or from any other causes whatsoever, whether based on warranty (expressed or implied) or otherwise based on contract, tort or any other theory of liability.

Some states do not allow limitations on how long an implied warranty lasts or the exclusion or limitation of incidental or consequential damages, so the above limitations may not apply to you. This warranty gives you specific legal rights, and you may also have other rights, which vary, from state to state.