

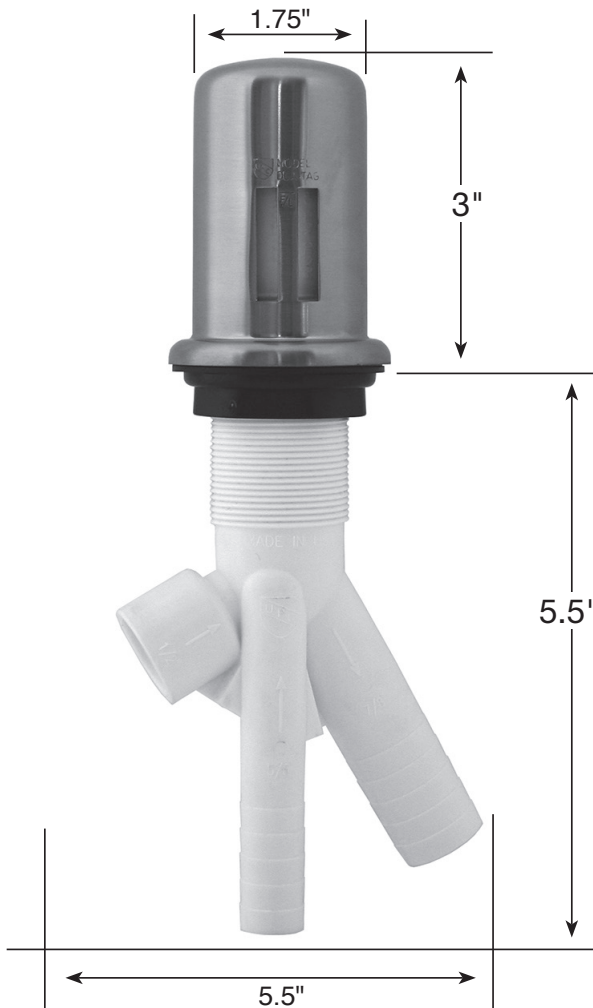
ACCESSORY PRODUCTS



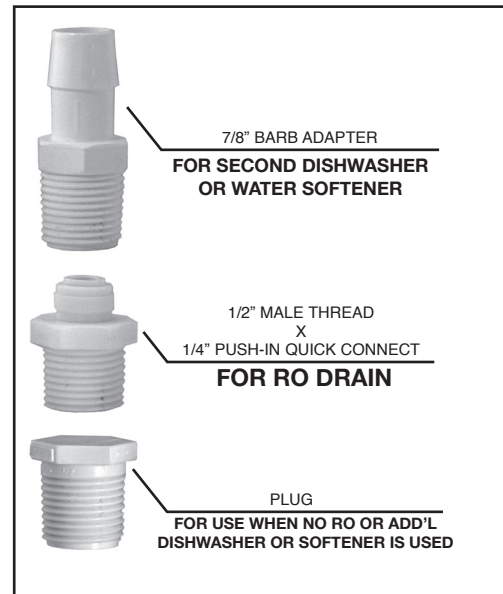
MODEL	DESCRIPTION	FINISH	PART #
AIR GAP: MULTI PURPOSE	<p>This is a multi-purpose twin inlet air gap for the installation of:</p> <ul style="list-style-type: none"> • A Reverse Osmosis System • A Water Softener • One or Two Dishwashers. <p>Replacing an existing dishwasher air gap with this air gap allows the installer to use a non-airgap faucet.</p>	CHROME	WI-COMBO-AG-CH
		SPECIAL	
		SATIN CHROME	WI-COMBO-AG-SC
		SATIN NICKEL	WI-COMBO-AG-SN
		PREMIUM	
		ENGLISH BRONZE	WI-COMBO-AG-EB
		OIL RUBBED BRONZE	WI-COMBO-AG-ORB
		TUSCAN BRASS	WI-COMBO-AG-TB
		POLISHED NICKEL	WI-COMBO-AG-PN

Shipping Wt: 2 lbs.

Please call for pricing on any Finish/Faucet combination not listed.



MULTI-PURPOSE ACCESSORIES INCLUDED:



*These products do not fall under no-lead legislation.



MAXIMUM recommended line pressure for this product is 75 PSI. Pressure above 75 PSI indicates the absence of a properly functioning water pressure regulator at the property. Excessive water pressure poses a risk of property damage to you. Problems due to excessive water pressure are NOT covered by this product's warranty. **BEFORE** installation of any Water, Inc. product, confirm that water supply pressure does not exceed 75 PSI. Questions? Contact Water, Inc. Service Depart. at 800.322.WATER(9283)