

# LEAD FREE ACCESSORY FAUCETS



MODEL	DESCRIPTION	FINISH	PART #
<b>ACCENT II 010</b>  <b>COLD ONLY</b>  <b>WITH LONG REACH SPOUT</b>	Lead Free Accessory Faucet For Filter	<b>ACCENT II FAUCET FOR FILTER</b>	
	Shipping Wt: 3 lbs.	STAINLESS STEEL	WI-FA010C-SS

Solid Stainless steel • **adjustable flow control with ¼ turn valve for filling pots and pitchers** • swivel spout

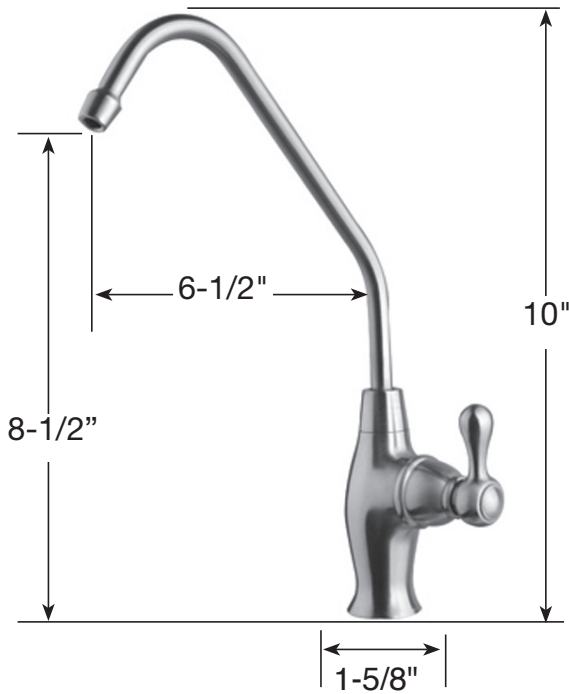
Certified to NSF/ANSI Standard 61 and California Proposition 65.

Chiller sold separately (see EverCold).

**Not available in other finishes.**

**A separate air gap is available or reverse osmosis on this model.**

**Dimensions:**  
 Height: 10"  
 Reach: 6-1/2"  
 Spout Diameter: 1/2"  
 Hole Size Required: 1/2"



Meets National Lead Laws including NSF 372 - 2011 Drinking Water System Components - Lead Content and S.3874, Reduction of Lead in Drinking Water Act, CAAB 1953 and VT Act 193.



**MAXIMUM recommended line pressure for this product is 75 PSI.** Pressure above 75 PSI indicates the absence of a properly functioning water pressure regulator at the property. Excessive water pressure poses a risk of property damage to you. Problems due to excessive water pressure are NOT covered by this product's warranty. **BEFORE** installation of any Water, Inc. product, **confirm that water supply pressure does not exceed 75 PSI.** Questions? Contact Water, Inc. Service Depart. at 800.322.WATER(9283)

Installations must comply with appropriate plumbing codes. Do not use vinyl tubing to connect any Water, Inc. Product to a water source. Polyethylene tubing is recommended for cold water applications.

## FAUCET KIT

Part # WI-FAUCET-KIT Shipping Wt: 2 lbs.

Compatible with this Water, Inc. faucet. Includes a JG 1/4 x 7/16 - 24UNS Speedfit connector, angle stop valve, teflon tape, six feet of 1/4" OD tubing, and installation instructions.