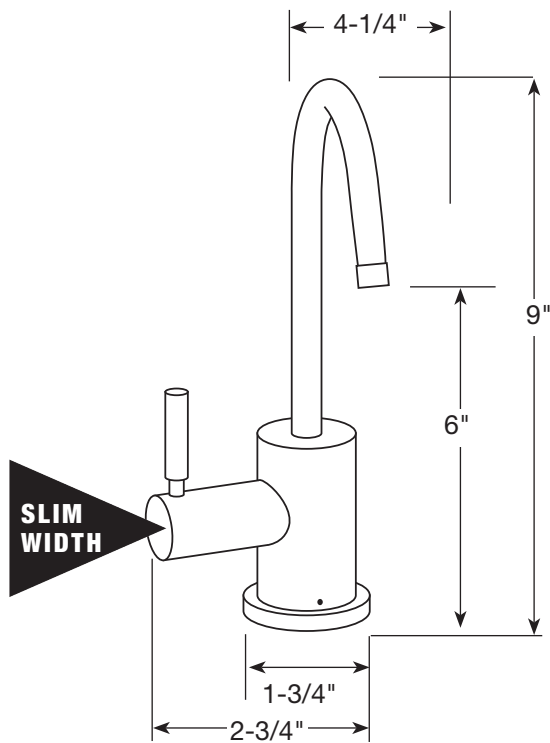


MODEL	DESCRIPTION	FINISH	PART #
<b>HORIZON SERIES LVH1120</b>	EverHot Lead Free Hot Only Water Dispenser	<b>FAUCET &amp; EVERHOT TANK</b>	
<b>HOT ONLY</b>	Shipping Wt: 12 lbs.  Includes faucet, EverHot tank, 3' cord & tubing.  Horizon series • <b>adjustable flow control with 1/4 turn ceramic disc valve for filling pitchers and pots</b> • swivel spout  Certified to NSF/ANSI Standard 61 and California Proposition 65.	CHROME	WI-LVH1120H-CH
		SATIN NICKEL-PVD	WI-LVH1120H-SN
		STAINLESS STEEL	WI-LVH1120H-SS
		SPECIAL*	WI-LVH1120H-__
		*SPECIAL = any sigma finish except precious metal (silver & gold) SEE CUSTOM FINISH INFO FOR EXAMPLES. Allow 8 to 10 weeks for delivery.	
<b>FAUCET ONLY</b>	Shipping Wt: 5 lbs.	<b>FAUCET ONLY</b>	
		CHROME	WI-FA1120H-CH
		SATIN NICKEL-PVD	WI-FA1120H-SN
		STAINLESS STEEL	WI-FA1120H-SS
		SPECIAL*	WI-FA1120H-__
		*SPECIAL = any sigma finish except precious metal (silver & gold) SEE CUSTOM FINISH INFO FOR EXAMPLES. Allow 8 to 10 weeks for delivery.	

**Dimensions:**  
 Height: 9"  
 Reach: 4-1/4"  
 Spout Diameter: 1/2"  
 Hole Size Required: 1-1/4"



**UPGRADE SYSTEM TO A STAINLESS STEEL TANK FOR \$100.**  
 Add **-SS** to end of part number

**A separate air gap is available for reverse osmosis on this model.**




**HORIZON  
HOT ONLY**



Meets National Lead Laws including NSF 372 - 2011 Drinking Water System Components - Lead Content and S.3874, Reduction of Lead in Drinking Water Act, CA AB 1953 and VT Act 193.

The Everhot mark is used under license from Bradford White Corp.

 **MAXIMUM recommended line pressure for this product is 75 PSI.** Pressure above 75 PSI indicates the absence of a properly functioning water pressure regulator at the property. Excessive water pressure poses a risk of property damage to you. Problems due to excessive water pressure are NOT covered by this product's warranty. **BEFORE** installation of any Water, Inc. product, confirm that water supply pressure does not exceed 75 PSI. Questions? Contact Water, Inc. Service Dept. at 800.322.WATER(9283)

Installations must comply with appropriate plumbing codes. Do not use vinyl tubing to connect any Water, Inc. Product to a water source. Polyethylene tubing is recommended for cold water applications.