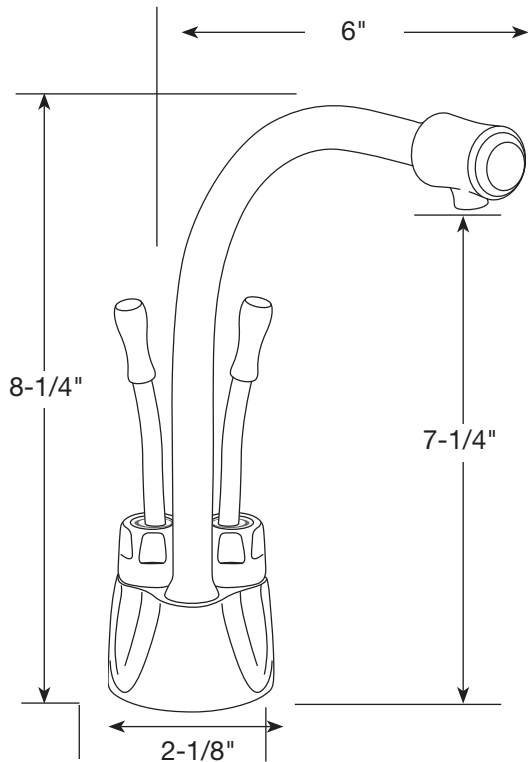


MODEL	DESCRIPTION	FINISH	PART #
<b>DISTINCTIVE SERIES LVH1200</b>	EverHot Lead Free Hot/Cold Water Dispenser	<b>FAUCET &amp; EVERHOT TANK</b>	
	Shipping Wt: 12 lbs.	CHROME	WI-LVH1200HC-CH
<b>HOT/COLD</b>	Includes faucet, EverHot tank, 3' cord & tubing.	SATIN NICKEL-PVD	WI-LVH1200HC-SN
	Distinctive series • <b>adjustable flow control with spring activated shut-off for filling pitchers and pots</b>	SPECIAL*	WI-LVH1200HC-____
	Certified to NSF/ANSI Standard 61 and California Proposition 65.	*SPECIAL = any sigma finish except precious metal (silver & gold) SEE CUSTOM FINISH INFO FOR EXAMPLES. Allow 8 to 10 weeks for delivery.	
	Chiller sold separately (see EverCold).	<b>FAUCET ONLY</b>	
<b>FAUCET ONLY</b>	Shipping Wt: 5 lbs.	CHROME	WI-FA1200HC-CH
		SATIN NICKEL-PVD	WI-FA1200HC-SN
		SPECIAL*	WI-FA1200HC-____
		*SPECIAL = any sigma finish except precious metal (silver & gold) SEE CUSTOM FINISH INFO FOR EXAMPLES. Allow 8 to 10 weeks for delivery.	

**Dimensions:**  
 Height: 8-1/4"  
 Reach: 6"  
 Spout Diameter: 1/2"  
 Hole Size Required: 1-1/4"



**A separate air gap is available for reverse osmosis on this model.**

**UPGRADE SYSTEM TO A STAINLESS STEEL TANK FOR \$100.**  
 Add **-SS** to end of part number



**DISTINCTIVE  
HOT & COLD**

**NO-LEAD COMPLIANT** Meets National Lead Laws including NSF 372 - 2011 Drinking Water System Components - Lead Content and S.3874, Reduction of Lead in Drinking Water Act, CAAB 1953 and VT Act 193.

The Everhot mark is used under license from Bradford White Corp.

**MAXIMUM recommended line pressure for this product is 75 PSI.** Pressure above 75 PSI indicates the absence of a properly functioning water pressure regulator at the property. Excessive water pressure poses a risk of property damage to you. Problems due to excessive water pressure are NOT covered by this product's warranty. **BEFORE** installation of any Water, Inc. product, confirm that water supply pressure does not exceed 75 PSI. Questions? Contact Water, Inc. Service Dept. at 800.322.WATER(9283)

Installations must comply with appropriate plumbing codes. Do not use vinyl tubing to connect any Water, Inc. Product to a water source. Polyethylene tubing is recommended for cold water applications.