

LEAD FREE ACCESSORY FAUCETS



MODEL	DESCRIPTION	FINISH	PART #
-------	-------------	--------	--------

**TOUCH
1500**

Innovative Lead Free Accessory Faucet for Filter
Shipping Wt: 3 lbs.

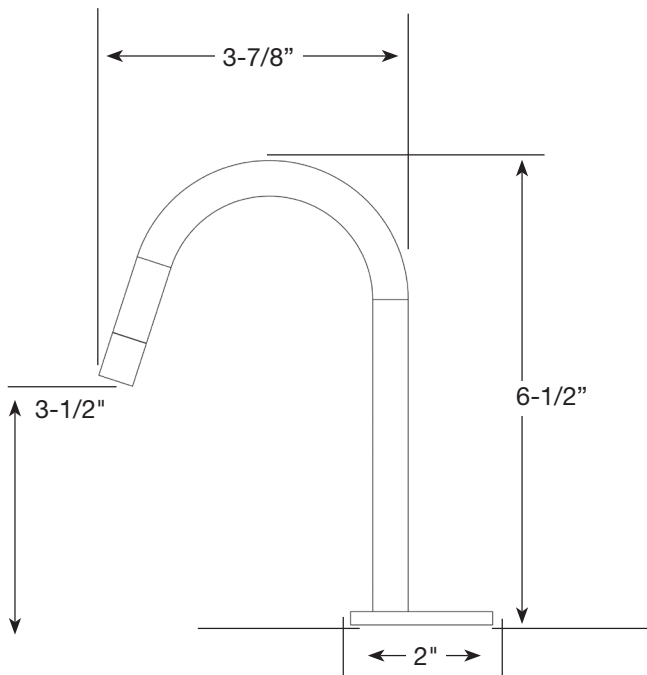
COLD ONLY

- **Touch technology allows convenient operation**
- **Touch faucet anywhere to turn water on & off**
- Minimal design fits any décor
- Made in the USA
- No-lead brass construction
- No electrical needed
- Low voltage battery operated (AA batteries)
- Batteries last 30,000 cycles
- Replaceable aerator
- Neoperl stream straightener

Certified to NSF/ANSI Standard 61 and California Proposition 65.
Chiller Sold Separately (See EverCold).

Dimensions:

Height: 6-1/2"
Reach: 3-7/8"
Spout Diameter: 1/2"
Hole Size Required: 1-1/4"



FAUCET ONLY

CHROME	WI-FA1500C-CH
SPECIAL SATIN NICKEL	WI-FA1500C-SN

A separate air gap is available for reverse osmosis on this model.



TOUCH FAUCET



Meets National Lead Laws including NSF 372 - 2011 Drinking Water System Components - Lead Content and S.3874, Reduction of Lead in Drinking Water Act, CAAB 1953 and VT Act 193.



MAXIMUM recommended line pressure for this product is 75 PSI. Pressure above 75 PSI indicates the absence of a properly functioning water pressure regulator at the property. Excessive water pressure poses a risk of property damage to you. Problems due to excessive water pressure are NOT covered by this product's warranty. **BEFORE** installation of any Water, Inc. product, confirm that water supply pressure does not exceed 75 PSI. Questions? Contact Water, Inc. Service Dept. at 800.322.WATER(9283)

Installations must comply with appropriate plumbing codes. Do not use vinyl tubing to connect any Water, Inc. Product to a water source. Polyethylene tubing is recommended for cold water applications.

FAUCET KIT

Part # WI-FAUCET-KIT Shipping Wt: 2 lbs.

Compatible with this Water, Inc. faucet. Includes a JG 1/4 x 7/16 - 24UNS Speedfit connector, angle stop valve, teflon tape, six feet of 1/4" OD tubing, and installation instructions.