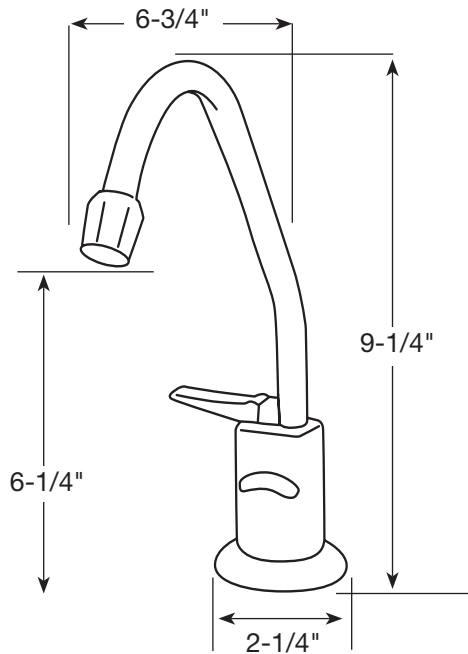


MODEL	DESCRIPTION	FINISH	PART #
ELITE SERIES LVH500	EverHot Lead Free Hot Only Water Dispenser	FAUCET & EVERHOT TANK FOR REVERSE OSMOSIS	
	Shipping Wt: 10 lbs.	CHROME	WI-LVH500RH-CH
		COLOR	
		BISCUIT	WI-LVH500RH-BS
		BLACK	WI-LVH500RH-BK
		WHITE	WI-LVH500RH-WH
		SPECIAL	
		POLISHED NICKEL	WI-LVH500RH-PN
		SATIN CHROME	WI-LVH500RH-SC
		SATIN NICKEL	WI-LVH500RH-SN
		PREMIUM	
		OIL RUBBED BRONZE	WI-LVH500RH-ORB
		POLISHED BRASS- PVD	WI-LVH500RH-PB
		STAINLESS STEEL	WI-LVH500RH-SS
HOT ONLY	Includes faucet, EverHot tank, 3' cord, & tubing.	FAUCET ONLY FOR REVERSE OSMOSIS	
WITH LONG REACH SPOUT AND AIR GAP	Certified to NSF/ANSI Standard 61 and California Proposition 65.	CHROME	WI-FA500RH-CH
		COLOR	
		BISCUIT	WI-FA500RH-BS
		BLACK	WI-FA500RH-BK
		WHITE	WI-FA500RH-WH
		SPECIAL	
		POLISHED NICKEL	WI-FA500RH-PN
		SATIN CHROME	WI-FA500RH-SC
		SATIN NICKEL	WI-FA500RH-SN
		PREMIUM	
		OIL RUBBED BRONZE	WI-FA500RH-ORB
		POLISHED BRASS- PVD	WI-FA500RH-PB
		STAINLESS STEEL	WI-FA500RH-SS
FAUCET ONLY	Shipping Wt: 3 lbs.		

**UPGRADE SYSTEM TO A
STAINLESS STEEL TANK
FOR \$100.**
Add **-SS** to end of part number

Dimensions:
Height: 9-1/4"
Reach: 6-3/4"
Spout Diameter: 1/2"
Hole Size Required: 1-1/4"



**ELITE
HOT ONLY AIR GAP**



Meets National Lead Laws including NSF 372 - 2011 Drinking Water System Components - Lead Content and S.3874, Reduction of Lead in Drinking Water Act, CA AB 1953 and VT Act 193.

The Everhot mark is used under license from Bradford White Corp.

MAXIMUM recommended line pressure for this product is 75 PSI. Pressure above 75 PSI indicates the absence of a properly functioning water pressure regulator at the property. Excessive water pressure poses a risk of property damage to you. Problems due to excessive water pressure are NOT covered by this product's warranty. **BEFORE** installation of any Water, Inc. product, confirm that water supply pressure does not exceed 75 PSI. Questions? Contact Water, Inc. Service Dept. at 800.322.WATER(9283)

Installations must comply with appropriate plumbing codes. Do not use vinyl tubing to connect any Water, Inc. Product to a water source. Polyethylene tubing is recommended for cold water applications.