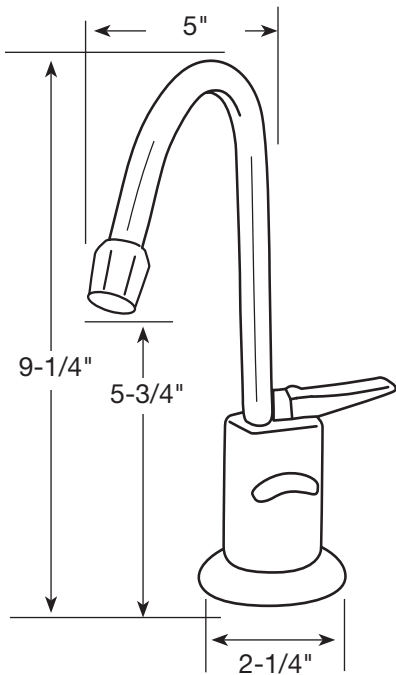


LEAD FREE ACCESSORY FAUCETS



MODEL	DESCRIPTION	FINISH	PART #
ELITE SERIES 510	ELITE WITH J-SPOUT Lead Free Accessory Faucet For Filter	ELITE WITH J-SPOUT Lead Free FOR FILTER	
		CHROME	WI-FA510C-CH
COLD ONLY	ELITE WITH J-SPOUT Lead Free Accessory Faucet For Reverse Osmosis	COLOR	
		BISCUIT	WI-FA510C-BS
WITH J-SPOUT	Shipping Wt: 3 lbs. Elite design • locking lever option for filling pitchers and pots • swivel spout Certified to NSF/ANSI Standard 61 and California Proposition 65. Chiller sold separately (see EverCold).	BLACK	WI-FA510C-BK
		WHITE	WI-FA510C-WH
		SPECIAL	
		POLISHED NICKEL	WI-FA510C-PN
		SATIN CHROME	WI-FA510C-SC
		SATIN NICKEL	WI-FA510C-SN
		PREMIUM	
		OIL RUBBED BRONZE	WI-FA510C-ORB
		POLISHED BRASS-PVD	WI-FA510C-PB
		STAINLESS STEEL	WI-FA510C-SS

Dimensions:
 Height: 9 1/4"
 Reach: 5"
 Spout Diameter: 1/2"
 Hole Size Required: filter = 1/2"
 RO = 1-1/4"



ELITE J SPOUT COLD ONLY

ELITE WITH J-SPOUT Lead Free AIR GAP FOR REVERSE OSMOSIS	
CHROME	WI-FA510RC-CH
COLOR	
BISCUIT	WI-FA510RC-BS
BLACK	WI-FA510RC-BK
WHITE	WI-FA510RC-WH
SPECIAL	
POLISHED NICKEL	WI-FA510RC-PN
SATIN CHROME	WI-FA510RC-SC
SATIN NICKEL	WI-FA510RC-SN
PREMIUM	
OIL RUBBED BRONZE	WI-FA510RC-ORB
POLISHED BRASS-PVD	WI-FA510RC-PB
STAINLESS STEEL	WI-FA510RC-SS

Please call for pricing on any Finish/Faucet combinations not listed.



Meets National Lead Laws including NSF 372 - 2011 Drinking Water System Components - Lead Content and S.3874, Reduction of Lead in Drinking Water Act, CA AB 1953 and VT Act 193.



MAXIMUM recommended line pressure for this product is 75 PSI. Pressure above 75 PSI indicates the absence of a properly functioning water pressure regulator at the property. Excessive water pressure poses a risk of property damage to you. Problems due to excessive water pressure are NOT covered by this product's warranty. **BEFORE** installation of any Water, Inc. product, confirm that water supply pressure does not exceed 75 PSI. Questions? Contact Water, Inc. Service Depart. at 800.322.WATER(9283)

Installations must comply with appropriate plumbing codes. Do not use vinyl tubing to connect any Water, Inc. Product to a water source. Polyethylene tubing is recommended for cold water applications.

FAUCET KIT Part # WI-FAUCET-KIT Shipping Wt: 2 lbs.

Compatible with this Water, Inc. faucet. Includes a JG 1/4 x 7/16 - 24UNS Speedfit connector, angle stop valve, teflon tape, six feet of 1/4" OD tubing, and installation instructions.