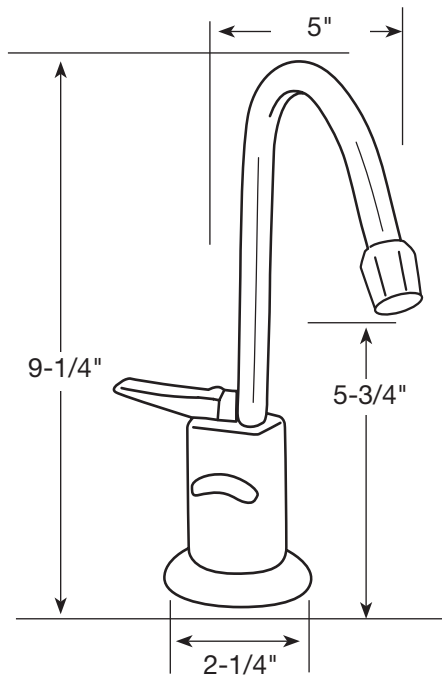


MODEL	DESCRIPTION	FINISH	PART #
<b>ELITE SERIES LVH510</b>	EverHot Lead Free Hot Only Water Dispenser	<b>FAUCET &amp; EVERHOT TANK FOR REVERSE OSMOSIS</b>	
	Shipping Wt: 10 lbs.	CHROME	WI-LVH510RH-CH
<b>HOT ONLY</b>	Includes faucet, EverHot tank, 3' cord, & tubing.	COLOR	
		BISCUIT	WI-LVH510RH-BS
<b>WITH J-SPOUT AND AIR GAP</b>	Certified to NSF/ANSI Standard 61 and California Proposition 65.	BLACK	WI-LVH510RH-BK
		WHITE	WI-LVH510RH-WH
<b>FAUCET ONLY</b>	Shipping Wt: 3 lbs.	SPECIAL	
		POLISHED NICKEL	WI-LVH510RH-PN
		SATIN CHROME	WI-LVH510RH-SC
		SATIN NICKEL	WI-LVH510RH-SN
		PREMIUM	
		OIL RUBBED BRONZE	WI-LVH510RH-ORB
		POLISHED BRASS-PVD	WI-LVH510RH-PB

**UPGRADE SYSTEM TO A STAINLESS STEEL TANK FOR \$100.**  
Add **-SS** to end of part number

**Dimensions:**  
Height: 9-1/4"  
Reach: 5"  
Spout Diameter: 1/2"  
Hole Size Required: 1-1/4"



<b>FAUCET ONLY FOR REVERSE OSMOSIS</b>	
CHROME	WI-FA510RH-CH
COLOR	
BISCUIT	WI-FA510RH-BS
BLACK	WI-FA510RH-BK
WHITE	WI-FA510RH-WH
SPECIAL	
POLISHED NICKEL	WI-FA510RH-PN
SATIN CHROME	WI-FA510RH-SC
SATIN NICKEL	WI-FA510RH-SN
PREMIUM	
OIL RUBBED BRONZE	WI-FA510RH-ORB
POLISHED BRASS-PVD	WI-FA510RH-PB

Please call for pricing on any Finish/Faucet combinations not listed.



**ELITE J SPOUT  
HOT ONLY AIR GAP**



Meets National Lead Laws including NSF 372 - 2011 Drinking Water System Components - Lead Content and S.3874, Reduction of Lead in Drinking Water Act, CAAB 1953 and VT Act 193.

The EverHot mark is used under license from Bradford White Corp.



**MAXIMUM recommended line pressure for this product is 75 PSI.** Pressure above 75 PSI indicates the absence of a properly functioning water pressure regulator at the property. Excessive water pressure poses a risk of property damage to you. Problems due to excessive water pressure are NOT covered by this product's warranty. **BEFORE** installation of any Water, Inc. product, confirm that water supply pressure does not exceed 75 PSI. Questions? Contact Water, Inc. Service Depart. at 800.322.WATER(9283)

Installations must comply with appropriate plumbing codes. Do not use vinyl tubing to connect any Water, Inc. Product to a water source. Polyethylene tubing is recommended for cold water applications.