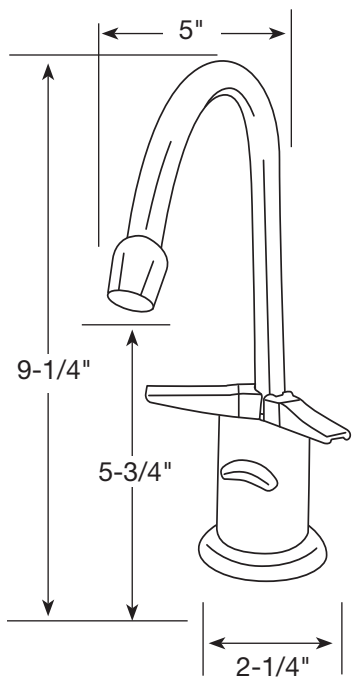


MODEL	DESCRIPTION	FINISH	PART #
-------	-------------	--------	--------

**ELITE SERIES LVH510**  
**HOT/COLD**  
**WITH J-SPOUT**  
**FAUCET ONLY**

EverHot Lead Free Hot/Cold Water Dispenser  
 Shipping Wt: 10 lbs.  
 Includes faucet, EverHot tank, 3' cord, & tubing.  
 Certified to NSF/ANSI Standard 61 and California Proposition 65.  
 Chiller sold separately (see EverCold).  
 Shipping Wt: 3 lbs.

**Dimensions:**  
 Height: 9-1/4"  
 Reach: 5"  
 Spout Diameter: 1/2"  
 Hole Size Required: 1-1/4"



**ELITE J SPOUT  
HOT & COLD**

FAUCET & EVERHOT TANK	
CHROME	WI-LVH510HC-CH
COLOR	
BISCUIT	WI-LVH510HC-BS
BLACK	WI-LVH510HC-BK
WHITE	WI-LVH510HC-WH
SPECIAL	
POLISHED NICKEL	WI-LVH510HC-PN
SATIN CHROME	WI-LVH510HC-SC
SATIN NICKEL	WI-LVH510HC-SN
PREMIUM	
ANTIQUE BRASS	WI-LVH510HC-AB
ANTIQUE COPPER	WI-LVH510HC-AC
OIL RUBBED BRONZE	WI-LVH510HC-ORB
POLISHED BRASS-PVD	WI-LVH510HC-PB
POLISHED COPPER	WI-LVH510HC-COP
STAINLESS STEEL	WI-LVH510HC-SS
WEATHERED BRASS	WI-LVH510HC-WB
WEATHERED COPPER	WI-LVH510HC-WC
PREMIUM PLUS	
GOLD	WI-LVH510HC-GOLD
SATIN GOLD	WI-LVH510HC-SG

FAUCET ONLY	
CHROME	WI-FA510HC-CH
COLOR	
BISCUIT	WI-FA510HC-BS
BLACK	WI-FA510HC-BK
WHITE	WI-FA510HC-WH
SPECIAL	
POLISHED NICKEL	WI-FA510HC-PN
SATIN CHROME	WI-FA510HC-SC
SATIN NICKEL	WI-FA510HC-SN
PREMIUM	
ANTIQUE BRASS	WI-FA510HC-AB
ANTIQUE COPPER	WI-FA510HC-AC
OIL RUBBED BRONZE	WI-FA510HC-ORB
POLISHED BRASS-PVD	WI-FA510HC-PB
POLISHED COPPER	WI-FA510HC-COP
STAINLESS STEEL	WI-FA510HC-SS
WEATHERED BRASS	WI-FA510HC-WB
WEATHERED COPPER	WI-FA510HC-WC
PREMIUM PLUS	
GOLD	WI-FA510HC-GOLD
SATIN GOLD	WI-FA510HC-SG

**Please call for pricing on any Finish/Faucet combinations not listed.**

**For use with reverse osmosis systems, use the Elite Air Gap Module..**

**UPGRADE SYSTEM TO A STAINLESS STEEL TANK FOR \$100.**  
 Add **-SS** to end of part number



Meets National Lead Laws including NSF 372 - 2011 Drinking Water System Components - Lead Content and S.3874, Reduction of Lead in Drinking Water Act, CAAB 1953 and VT Act 193.

The Everhot mark is used under license from Bradford White Corp.

**MAXIMUM recommended line pressure for this product is 75 PSI.** Pressure above 75 PSI indicates the absence of a properly functioning water pressure regulator at the property. Excessive water pressure poses a risk of property damage to you. Problems due to excessive water pressure are NOT covered by this product's warranty. **BEFORE** installation of any Water, Inc. product, confirm that water supply pressure does not exceed 75 PSI. Questions? Contact Water, Inc. Service Depart. at 800.322.WATER(9283)

Installations must comply with appropriate plumbing codes. Do not use vinyl tubing to connect any Water, Inc. Product to a water source. Polyethylene tubing is recommended for cold water applications.