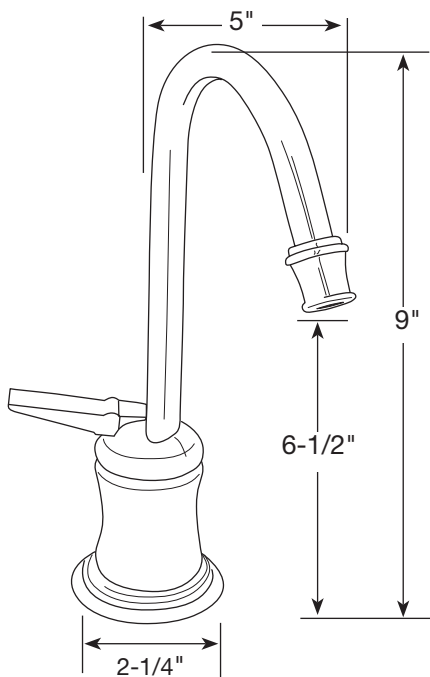


MODEL	DESCRIPTION	FINISH	PART #
<b>TRADITIONAL SERIES LVH610</b>	EverHot Lead Free Hot Only Water Dispenser	<b>FAUCET &amp; EVERHOT TANK FOR REVERSE OSMOSIS</b>	
<b>HOT ONLY</b>	Shipping Wt: 10 lbs.	CHROME	WI-LVH610RH-CH
<b>WITH J-SPOUT AND AIR GAP</b>	Traditional design • <b>locking lever option for filling pitchers and pots</b>	COLOR	
		BISCUIT	WI-LVH610RH-BS
		BLACK	WI-LVH610RH-BK
		WHITE	WI-LVH610RH-WH
		SPECIAL	
		POLISHED NICKEL	WI-LVH610RH-PN
		SATIN CHROME	WI-LVH610RH-SC
		SATIN NICKEL	WI-LVH610RH-SN
		PREMIUM	
		OIL RUBBED BRONZE	WI-LVH610RH-ORB
		POLISHED BRASS-PVD	WI-LVH610RH-PB
		VENETIAN BRONZE	WI-LVH610RH-VB
<b>FAUCET ONLY</b>	Shipping Wt: 3 lbs.	<b>FAUCET ONLY FOR REVERSE OSMOSIS</b>	

**Dimensions:**  
 Height: 9"  
 Reach: 5"  
 Spout Diameter: 1/2"  
 Hole Size Required: 1-1/4"



**TRADITIONAL  
HOT ONLY  
AIR GAP**

CHROME	WI-FA610RH-CH
COLOR	
BISCUIT	WI-FA610RH-BS
BLACK	WI-FA610RH-BK
WHITE	WI-FA610RH-WH
SPECIAL	
POLISHED NICKEL	WI-FA610RH-PN
SATIN CHROME	WI-FA610RH-SC
SATIN NICKEL	WI-FA610RH-SN
PREMIUM	
OIL RUBBED BRONZE	WI-FA610RH-ORB
POLISHED BRASS-PVD	WI-FA610RH-PB
VENETIAN BRONZE	WI-FA610RH-VB

Please call for pricing on any Finish/Faucet combinations not listed.

**UPGRADE SYSTEM TO A  
STAINLESS STEEL TANK  
FOR \$100.**  
 Add -SS to end of part number



Meets National Lead Laws including NSF 372 - 2011 Drinking Water System Components - Lead Content and S.3874, Reduction of Lead in Drinking Water Act, CAAB 1953 and VT Act 193.

The Everhot mark is used under license from Bradford White Corp.



**MAXIMUM recommended line pressure for this product is 75 PSI.** Pressure above 75 PSI indicates the absence of a properly functioning water pressure regulator at the property. Excessive water pressure poses a risk of property damage to you. Problems due to excessive water pressure are NOT covered by this product's warranty. **BEFORE** installation of any Water, Inc. product, confirm that water supply pressure does not exceed 75 PSI. Questions? Contact Water, Inc. Service Dept. at 800.322.WATER(9283)

Installations must comply with appropriate plumbing codes. Do not use vinyl tubing to connect any Water, Inc. Product to a water source. Polyethylene tubing is recommended for cold water applications.