

## MODEL

## DESCRIPTION

HousePure Softflo  
Whole House  
Water Softener

Part# WI-HP-SOFTFLO

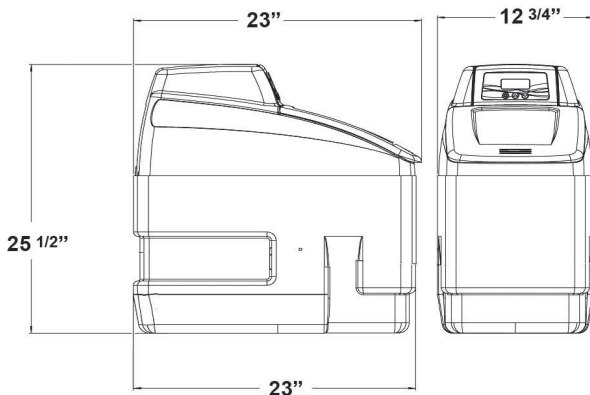
Shipping Wt: 45 lbs.

Dimensions: Height: 25.5"  
Width: 12.75"  
Depth: 23"

Traditional self regenerating water softener that provides gentle water at every point of use in the home.



- Flow Rate: 11 GPM
- Structural resin tank
- High capacity purolite resin
- 1/2 cu. ft. resin
- 12000 grain capacity
- Fleck 5600SXT Electronic Valve
- High flow bypass with connections to 1.25"
- Unique euro design cabinet - sleek and compact!
- Direct access to electronic functions with integrated face plate
- Blow-molded cabinet with injection-molded cover and salt lid
- Safety Brine Valve
- Brine compartment and valve are easily accessible under removable cover
- Large salt opening with easily detached snap-fit lid
- Foam baffle protects electronic controls from brine vapors
- Molded features at top and bottom of cabinet hold mineral tank in place
- Integral side handles allow easy installation and positioning



*The installation of a **reverse osmosis drinking water system** is recommended for persons with heart disease, hypertension, high blood pressure or a low sodium diet.*

Component Tested to NSF/ANSI Standard 42  
for material requirements.



Meets National Lead Laws including NSF 372 - 2011 Drinking Water System Components - Lead Content and S.3874, Reduction of Lead in Drinking Water Act, CAAB 1953 and VT Act 193.



**MAXIMUM recommended line pressure for this product is 75 PSI.** Pressure above 75 PSI indicates the absence of a properly functioning water pressure regulator at the property. Excessive water pressure poses a risk of property damage to you. Problems due to excessive water pressure are NOT covered by this product's warranty. **BEFORE** installation of any Water, Inc. product, confirm that water supply pressure does not exceed 75 PSI. Questions? Contact Water, Inc. Service Depart. at 800.322.WATER(9283)