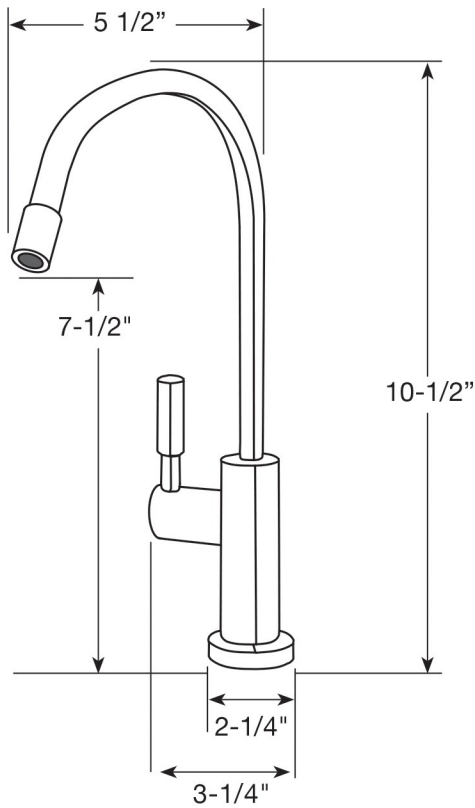




MODEL	DESCRIPTION	FINISH	PART #
ENDURING II SERIES LVH1310	Enduring II Lead Free Accessory Faucet for Filter	FAUCET & EVERHOT TANK	
		CHROME	WI-LVH1310H-CH
HOT ONLY	Shipping Wt: 10 lbs. Includes faucet, Everhot tank, 3' cord and tubing. Enduring II design • adjustable flow control with a quarter turn ceramic disc valve for filling pitchers and pots • does not swivel Tested to NSF/ANSI Standard 61 and California Proposition 65.	SPECIAL	
		SATIN NICKEL	WI-LVH1310H-SN
FAUCET ONLY	Shipping Wt: 4 lbs.	FAUCET ONLY	
		CHROME	WI-FA1310H-CH
		SPECIAL	
		SATIN NICKEL	WI-FA1310H-SN

Dimensions:
 Height: 10-1/2"
 Reach: 5-1/2"
 Spout Diameter: 1/2"
 Hole Size Required: 1-1/4"



Please call for pricing on any Finish/Faucet combinations not listed.

A separate air gap is available for reverse osmosis on this model.

UPGRADE SYSTEM TO A STAINLESS STEEL TANK FOR \$100.
 Add **-SS** to end of part number



**ENDURING
HOT ONLY**



Meets National Lead Laws including NSF 372 - 2011 Drinking Water System Components - Lead Content and S.3874, Reduction of Lead in Drinking Water Act, CAAB 1953 and VT Act 193.

The Everhot mark is used under license from Bradford White Corp.

MAXIMUM recommended line pressure for this product is 75 PSI. Pressure above 75 PSI indicates the absence of a properly functioning water pressure regulator at the property. Excessive water pressure poses a risk of property damage to you. Problems due to excessive water pressure are NOT covered by this product's warranty. **BEFORE** installation of any Water, Inc. product, confirm that water supply pressure does not exceed 75 PSI. Questions? Contact Water, Inc. Service Depart. at 800.322.WATER(9283)

Installations must comply with appropriate plumbing codes. Do not use vinyl tubing to connect any Water, Inc. Product to a water source. Polyethylene tubing is recommended for cold water applications.